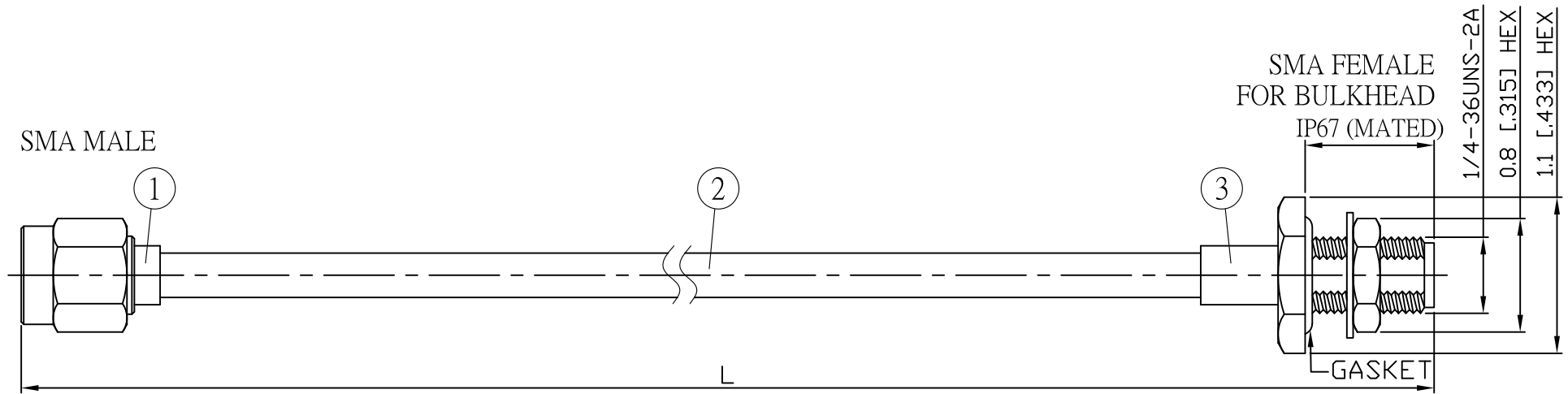
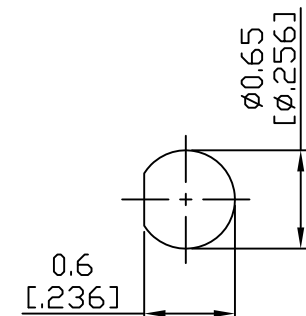


NO.	COMPONENTS	IMPEDANCE
1	SMA MALE	50 OHM
2	.141" HANDBENDABLE CABLE (= JYEBAO P/N .141SRF-W-P-50)	50 OHM
3	SMA FEMALE FOR BULKHEAD	50 OHM

REVISION			
REV.	DESCRIPTION	DATE	APPROVED
-	INITIAL RELEASE	2011/03/15	
A	修正SMA螺紋規格	2013/10/01	



JYE BAO P/N	L CM (INCH)	L1 FT (MM)
A30A85-141S-15	15 (5.906)	0.454 (138.5)
A30A85-141S-30	30 (11.811)	0.947 (288.5)
A30A85-141S-50	50 (19.685)	1.603 (488.5)
A30A85-141S-100	100 (39.370)	3.243 (988.5)
A30A85-141S-150	150 (59.055)	4.884 (1488.5)
A30A85-141S-200	200 (78.740)	6.524 (1988.5)
A30A85-141S-XXX	CUSTOM LENGTH IN CM	- - -



MOUNTING HOLE

3	SMA8305-0141	SMA JACK	1	EA	LENGTH TOLERANCE IS ±1.5% OR ±10MM, WHICHEVER IS GREATER.	STANDARD	REV A	UNIT CM(INCH)	JYE BAO CO., LTD. TAIPEI TAIWAN
						APPROVED	DATE	DESCRIPTION CABLE ASSEMBLY SMA PLUG TO SMA JACK FOR BULKHEAD	
						CHECKED	DATE	DESCRIPTION CABLE ASSEMBLY SMA PLUG TO SMA JACK FOR BULKHEAD	
						DRAWING Albert	DATE	JYE BAO DRAWING NO. A30A85-141S-XXX	
2	.141SRF-W-P-50	CABLE	L1 (SEE TABLE)	FT					
1	SMA3300-0141	SMA PLUG	1	EA					
NO.	PARTS NO.	DESCRIPTION	Q'TY	U/M					