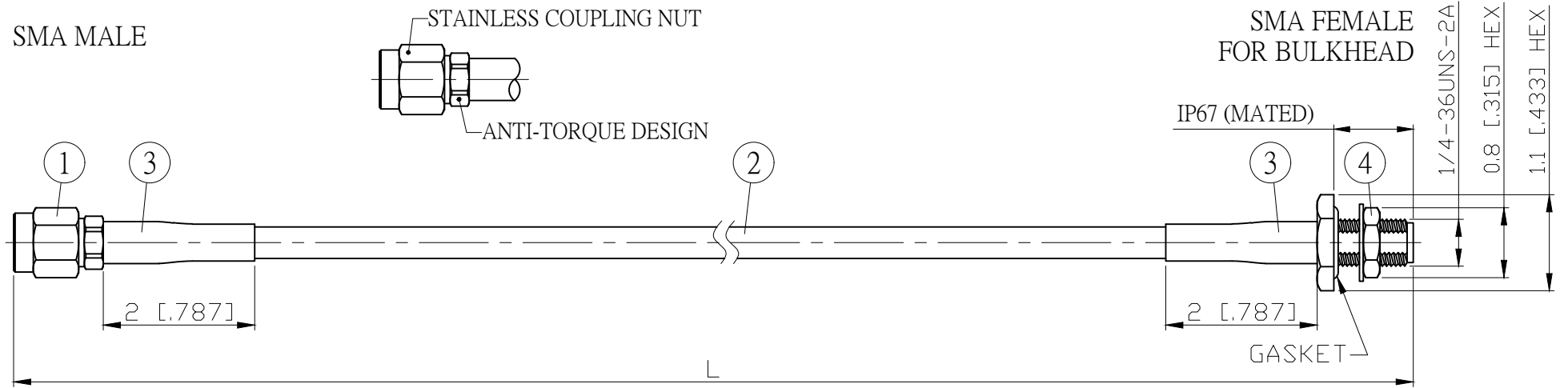
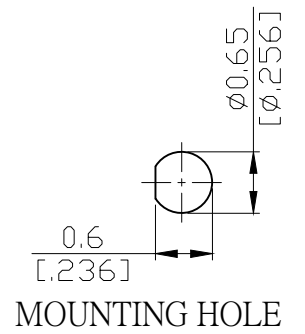


NO.	COMPONENTS	IMPEDANCE
1	SMA MALE	50 OHM
2	.141" HANDBENDABLE CABLE WITH FEP JACKET (=JYBAO P/N .141SRF-W-P-50-F)	50 OHM
3	HEAT SHRINKING TUBE	
4	SMA FEMALE FOR BULKHEAD	50 OHM

REVISION			
REV.	DESCRIPTION	DATE	APPROVED
-	INITIAL RELEASE	2016/01/20	



JYE BAO P/N	Freq. (GHz)	Max. Return Loss	L CM (INCH)	L1 FT (MM)
A30A85-141F-27GXXX	27	-17dB	50 (19.685)	1.603 (488.5)
			100 (39.370)	3.243 (988.5)
			150 (59.055)	4.884 (1488.5)
			200 (78.740)	6.524 (1988.5)
			CUSTOM LENGTH IN CM	CUSTOM LENGTH IN CM



				STANDARD	REV -	UNIT CM(INCH)	JYE BAO CO., LTD.	
				APPROVED		DATE	TAIPEI TAIWAN	
				CHECKED		DATE	DESCRIPTION	CABLE ASSEMBLY SMA PLUG TO SMA JACK FOR BULKHEAD
				DRAWING	Albert	DATE	JYE BAO DRAWING NO.	A30A85-141F-27GXXX
4	SMA8305-0402	SMA JACK	1	EA	LENGTH TOLERANCE IS ±1.5% OR ±10MM, WHICHEVER IS GREATER.			
3	G5(F)-8.0MM-BLACK	TUBE	0.04	M				
2	.141SRF-W-P-50-F	CABLE	L1 (SEE TABLE)	FT				
1	SMA33AT-0402	SMA PLUG	1	EA				
NO.	PARTS NO.	DESCRIPTION	QTY	U/M				