

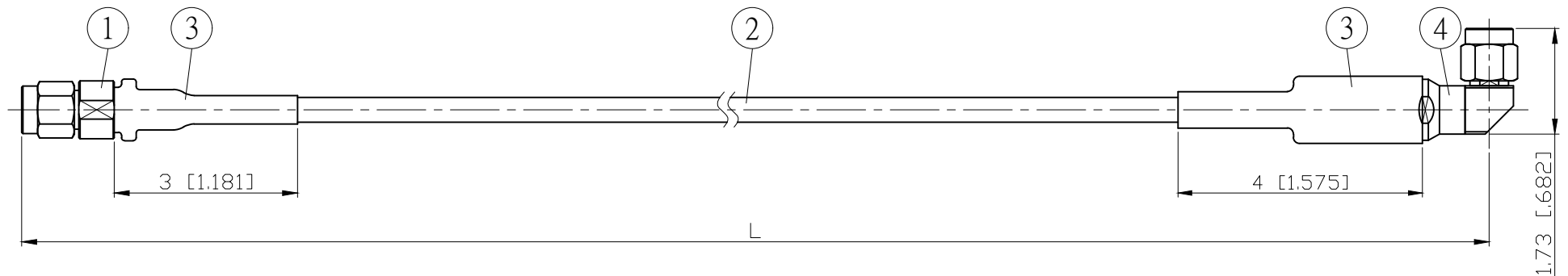
NO.	COMPONENTS	IMPEDANCE
1	SMA MALE	50 OHM
2	5004	50 OHM
3	HEAT SHRINKING TUBE	
4	SMA MALE RIGHT ANGLE	50 OHM

REVISION			
REV.	DESCRIPTION	DATE	APPROVED
-	INITIAL RELEASE	2013/08/23	
A	增加接頭介面圖、註記	2014/01/13	
B	SMA3200S-9L160=>SMA3200S-M5004	2020/07/01	

## TEST LEAD WITH EXTRA STURDY CABLE / CONNECTOR CONNECTION.

SMA MALE

SMA MALE  
RIGHT ANGLE



JYE BAO P/N	Freq. (GHz)	Max. Return Loss	L CM (INCH)	L1 M (MM)
A30A39-5004-18GXXX	18	-16.5dB	50 (19.685)	0.483 (483.0)
			100 (39.370)	0.983 (983.0)
			150 (59.055)	1.483 (1483.0)
			200 (78.740)	1.983 (1983.0)
			CUSTOM LENGTH IN CM	---

					STANDARD	REV B	UNIT CM(INCH)	<b>JYE BAO CO., LTD.</b>	
					APPROVED			TAIPEI TAIWAN	
					CHECKED	DATE		DESCRIPTION	
					DRAWING	DATE		CABLE ASSEMBLY SMA PLUG TO SMA PLUG R/A	
					<i>Albert</i>		DATE		JYE BAO DRAWING NO.
							DATE		A30A39-5004-18GXXX
NO.	PARTS NO.	DESCRIPTION	Q'TY	U/M	LENGTH TOLERANCE IS ±1.5% OR ±10MM, WHICHEVER IS GREATER.				
4	SMA3200S-M5004	SMA PLUG R/A	1	EA					
3	G5(F)-10MM-BLACK	TUBE	0.07	M					
2	5004	CABLE	SEE TABLE L1	M					
1	SMA32NP-L160	SMA PLUG	1	EA					