

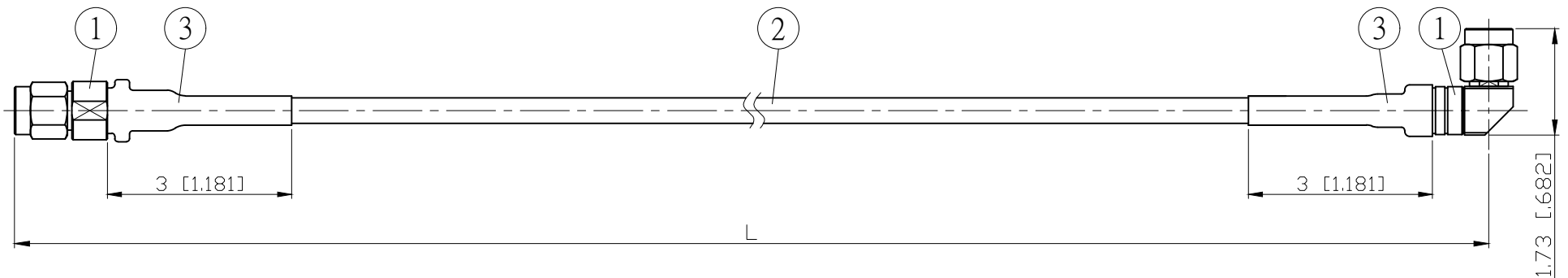
NO.	COMPONENTS	IMPEDANCE
1	SMA MALE	50 OHM
2	5003	50 OHM
3	HEAT SHRINKING TUBE	
4	ADHESIVE HEAT SHRINKING TUBE	
5	SMA MALE RIGHT ANGLE	50 OHM

REVISION			
REV.	DESCRIPTION	DATE	APPROVED
-	INITIAL RELEASE	2013/08/23	
A	增加接頭介面圖、註記	2014/01/13	
B	SMA3200S-9402=>SMA3200S-M5003	2020/07/01	

TEST LEAD WITH EXTRA STURDY CABLE / CONNECTOR CONNECTION.

SMA MALE

SMA MALE
RIGHT ANGLE



JYE BAO P/N	Freq. (GHz)	Max. Return Loss	L CM (INCH)	L1 M (MM)
A30A39-5003-18GXXX	18	-18dB	50 (19.685)	0.487 (486.5)
			100 (39.370)	0.987 (986.5)
			150 (59.055)	1.487 (1486.5)
			200 (78.740)	1.987 (1986.5)
			CUSTOM LENGTH IN CM	---

NOTE:
CHECK INTERFACE OF EACH CONNECTOR PRIOR TO PACKAGING.
(組裝時接頭介面需100%正確, 並保留檢驗報告供日後備查)

NO.	PARTS NO.	DESCRIPTION	Q'TY	U/M	LENGTH TOLERANCE IS $\pm 1.5\%$ OR $\pm 10\text{MM}$, WHICHEVER IS GREATER.	STANDARD	REV B	UNIT CM(INCH)	JYE BAO CO., LTD.	
4	SMA3200S-M5003	SMA PLUG R/A	1	EA		APPROVED			TAIPEI TAIWAN	
3	G5(F)-10MM-BLACK	TUBE	0.03	M		CHECKED			DATE	DESCRIPTION
2	5003	CABLE	SEE TABLE L1	M					DATE	CABLE ASSEMBLY SMA PLUG TO SMA PLUG R/A
1	SMA32NP-S402	SMA PLUG	1	EA		DRAWING	<i>Albert</i>		DATE	JYE BAO DRAWING NO.
									A30A39-5003-18GXXX	