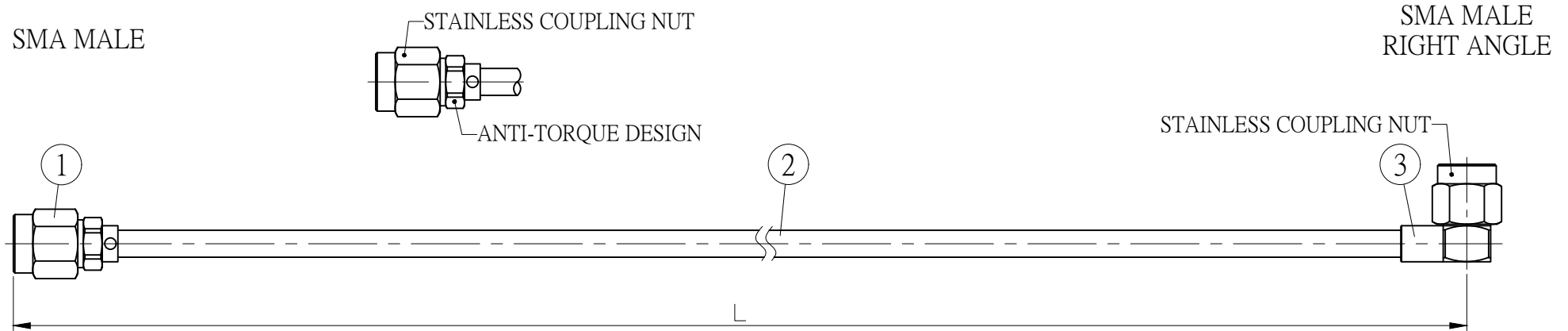


NO.	COMPONENTS	IMPEDANCE
1	SMA MALE	50 OHM
2	.141" HANDBENDABLE CABLE (= JYEBAO P/N .141SRF-W-P-50)	50 OHM
3	SMA MALE RIGHT ANGLE	50 OHM

REVISION			
REV.	DESCRIPTON	DATE	APPROVED
-	INITIAL RELEASE	2015/10/12	



JYE BAO P/N	Freq. (GHz)	Max. Return Loss	L CM (INCH)
A30A39-141S-18GXXX	18	-16.5dB	50 (19.685)
			100 (39.370)
			150 (59.055)
			200 (78.740)
			CUSTOM LENGTH IN CM

LENGTH TOLERANCE
IS $\pm 1.5\%$ OR $\pm 10\text{MM}$,
WHICHEVER IS
GREATER.

JYE BAO CO., LTD.

TAIPEI TAIWAN

DESCRIPTION

CABLE ASSEMBLY SMA PLUG TO SMA PLUG R/A

JYE BAO DRAWING NO.

A30A39-141S-18GXXX