

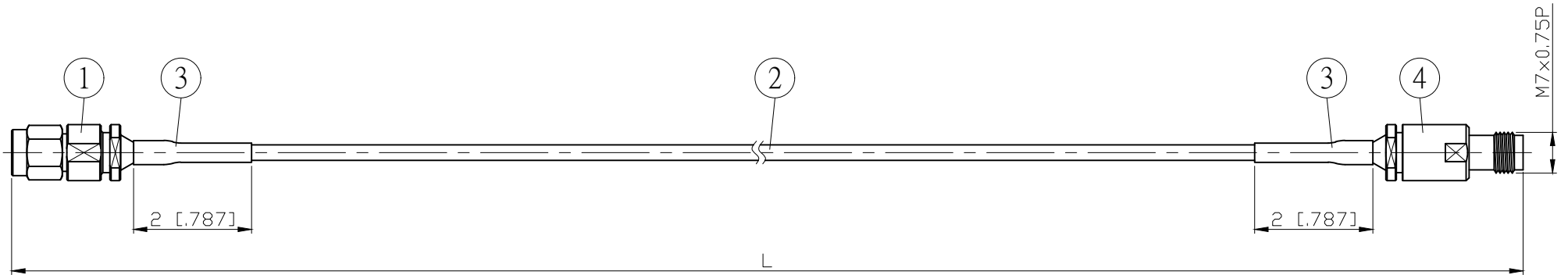
NO.	COMPONENTS	IMPEDANCE
1	SMA MALE	50 OHM
2	5002	50 OHM
3	HEAT SHRINKING TUBE	
4	2.4 FEMALE	50 OHM

REVISION			
REV.	DESCRIPTON	DATE	APPROVED
-	INITIAL RELEASE	2020/12/30	

## TEST LEAD WITH EXTRA STURDY CABLE / CONNECTOR CONNECTION.

SMA MALE

2.4 FEMALE



L CM (INCH)	L1 M (MM)
50 (19.685)	0.480 (480.0)
100 (39.370)	0.980 (980.0)
150 (59.055)	1.480 (1480.0)
200 (78.740)	1.980 (1980.0)
Custom length in CM	- - -

Spec	Phase stability vs bending <sup>(1)</sup>	Amplitude stability vs bending <sup>(2)</sup>	Max VSWR	Max IL	Flexure life cycle <sup>(3)</sup>
3GHz	±0.3° typ / ±0.5° max	±0.005dB typ / ±0.01dB max	1.12 : 1	≤ (0.0128dB/cm*Lcm)+0.15dB	≥ 10000
6GHz	±0.5° typ / ±0.75° max	±0.0075dB typ / ±0.015dB max	1.15 : 1	≤ (0.0189dB/cm*Lcm)+0.20dB	
12.4GHz	±0.75° typ / ±1.0° max	±0.010dB typ / ±0.02dB max	1.20 : 1	≤ (0.0293dB/cm*Lcm)+0.25dB	
18GHz	±1.0° typ / ±1.5° max	±0.015dB typ / ±0.03dB max	1.25 : 1	≤ (0.0361dB/cm*Lcm)+0.30dB	

Notes:

- Operating Temp.: -55°C / +105°C
- Static bend radius 5.1mm
- Dynamic bend radius 30mm
- RoHS Compliant

- (1) Per IEC 60966-1, section 8.6, method 1
- (2) Per IEC 60966-1, section 8.4
- (3) Per IEC 60966-1, section 9.3

NO.	PARTS NO.	DESCRIPTION	Q'TY	U/M
4	2.4-8200S-5002	2.4 JACK	1	EA
3	G5(F)-4.0MM-BLACK	TUBE	0.04	M
2	5002	CABLE	SEE TABLE L1	M
1	SMA3200S-5002	SMA PLUG	1	EA

LENGTH TOLERANCE  
IS ±1.5% OR ±10MM,  
WHICHEVER IS  
GREATER.

STANDARD APPROVED CHECKED DRAWING <i>Albert</i>	REV	-	UNIT CM(INCH)	<b>JYE BAO CO., LTD.</b> TAIPEI TAIWAN DESCRIPTION CABLE ASSEMBLY SMA PLUG TO 2.4 JACK JYE BAO DRAWING NO. A302480-5002-18GXXX
	DATE			
	DATE			
	DATE			