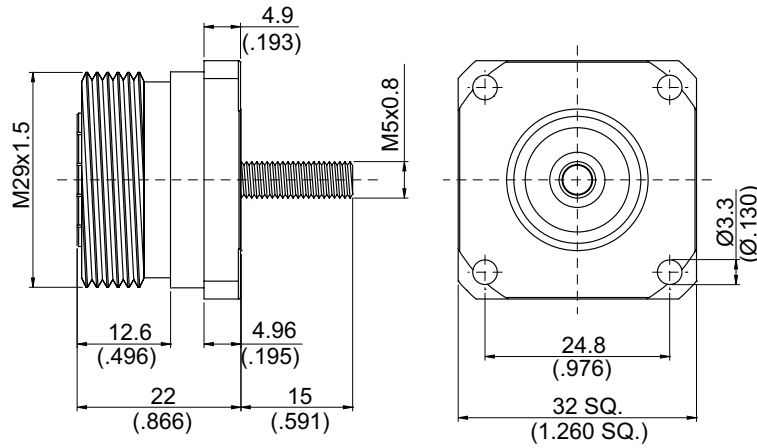


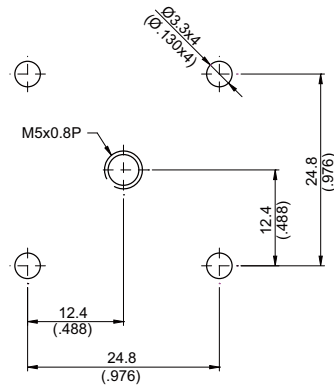
7/16-864D-0000

7/16 Jack For Panel Receptacle

50Ω



MOUNTING HOLE



Parts	Material	Plating(Micro-inch)
M5 x 0.8P Pin	Brass	Silver 150 Over Copper 50
Contact Body	Brass	Tin-Zinc-Copper-Alloy 100 Over Copper 50
Contact Pin	Phosphor Bronze	Silver 150 Over Copper 50
Insulator	Teflon	
Body	Brass	Tin-Zinc-Copper-Alloy 100 Over Copper 50

Weight:

This part number complies with RoHS.

Notice: JYEBAO reserves the right to make modifications deemed appropriate.