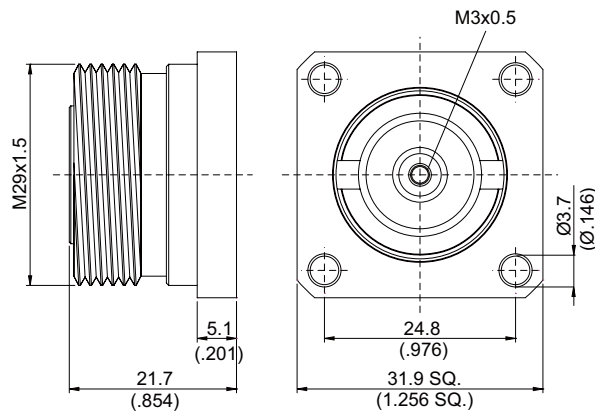


7/16-864C-0000

**7/16 Jack SQ 32mm 4 Hole Flange  
With M3 Contact; 7.5GHz VSWR 1.2**

**50Ω**



NOTE: (1) Non-Captivated contact  
 (2) Pin screwed on/off with 3mm allen key  
 (3) Comes with a protective cap

Parts	Material	Plating(Micro-inch)
Contact Pin	Phosphor Bronze	Silver 150 Over Copper 50
Insulator	Teflon	
Protective Cap	PVC	
Body	Brass	Tin-Zinc-Copper-Alloy 100 Over Copper 50

This part number complies with RoHS.

Notice: JYEBAO reserves the right to make modifications deemed appropriate.

7/16	7/16-864C-0000																						
<table border="1" style="width: 100%;"> <tr> <td style="width: 30%;"><b>Interface</b></td> <td></td> </tr> <tr> <td>IEC 60169-4</td> <td></td> </tr> </table>		<b>Interface</b>		IEC 60169-4																			
<b>Interface</b>																							
IEC 60169-4																							
<table border="1" style="width: 100%;"> <tr> <td style="width: 30%;"><b>Electrical Data</b></td> <td></td> </tr> <tr> <td>Impedance</td> <td>50Ω</td> </tr> <tr> <td>Frequency range</td> <td>DC to 7.5GHz</td> </tr> <tr> <td>VSWR</td> <td>≦ 1.2 (DC to 7.5GHz)</td> </tr> <tr> <td>Insertion loss</td> <td>≦ 0.05dB</td> </tr> <tr> <td>Insulation resistance</td> <td>≧ 10000MΩ</td> </tr> <tr> <td>Contact resistance inner conductor</td> <td>≦ 0.4mΩ</td> </tr> <tr> <td>Contact resistance outer conductor</td> <td>≦ 1.5mΩ</td> </tr> <tr> <td>Dielectric withstanding voltage (at sea level)</td> <td>4000 V rms</td> </tr> <tr> <td>Working Voltage (at sea level)</td> <td>2700 V rms</td> </tr> <tr> <td>RF leakage</td> <td>≧ 128dB to 1GHz</td> </tr> </table>		<b>Electrical Data</b>		Impedance	50Ω	Frequency range	DC to 7.5GHz	VSWR	≦ 1.2 (DC to 7.5GHz)	Insertion loss	≦ 0.05dB	Insulation resistance	≧ 10000MΩ	Contact resistance inner conductor	≦ 0.4mΩ	Contact resistance outer conductor	≦ 1.5mΩ	Dielectric withstanding voltage (at sea level)	4000 V rms	Working Voltage (at sea level)	2700 V rms	RF leakage	≧ 128dB to 1GHz
<b>Electrical Data</b>																							
Impedance	50Ω																						
Frequency range	DC to 7.5GHz																						
VSWR	≦ 1.2 (DC to 7.5GHz)																						
Insertion loss	≦ 0.05dB																						
Insulation resistance	≧ 10000MΩ																						
Contact resistance inner conductor	≦ 0.4mΩ																						
Contact resistance outer conductor	≦ 1.5mΩ																						
Dielectric withstanding voltage (at sea level)	4000 V rms																						
Working Voltage (at sea level)	2700 V rms																						
RF leakage	≧ 128dB to 1GHz																						
<table border="1" style="width: 100%;"> <tr> <td style="width: 30%;"><b>Mechanical Data</b></td> <td></td> </tr> <tr> <td>Recommended coupling nut torque</td> <td>260 inch lbs</td> </tr> <tr> <td>Coupling proof torque</td> <td>310 inch lbs</td> </tr> <tr> <td>Contact captivation-axial</td> <td>non captivated</td> </tr> <tr> <td>Durability (mating)</td> <td>≧ 500</td> </tr> </table>		<b>Mechanical Data</b>		Recommended coupling nut torque	260 inch lbs	Coupling proof torque	310 inch lbs	Contact captivation-axial	non captivated	Durability (mating)	≧ 500												
<b>Mechanical Data</b>																							
Recommended coupling nut torque	260 inch lbs																						
Coupling proof torque	310 inch lbs																						
Contact captivation-axial	non captivated																						
Durability (mating)	≧ 500																						
<table border="1" style="width: 100%;"> <tr> <td style="width: 30%;"><b>Environmental Data</b></td> <td></td> </tr> <tr> <td>Temperature range</td> <td>-65°C to +165°C</td> </tr> <tr> <td>Thermal shock</td> <td>MIL-STD-202, Method107, Condition B</td> </tr> <tr> <td>Moisture resistance</td> <td>MIL-STD-202, Method106</td> </tr> <tr> <td>Corrosion</td> <td>MIL-STD-202, Method101, Condition B</td> </tr> <tr> <td>RoHS</td> <td>Compliant</td> </tr> </table>		<b>Environmental Data</b>		Temperature range	-65°C to +165°C	Thermal shock	MIL-STD-202, Method107, Condition B	Moisture resistance	MIL-STD-202, Method106	Corrosion	MIL-STD-202, Method101, Condition B	RoHS	Compliant										
<b>Environmental Data</b>																							
Temperature range	-65°C to +165°C																						
Thermal shock	MIL-STD-202, Method107, Condition B																						
Moisture resistance	MIL-STD-202, Method106																						
Corrosion	MIL-STD-202, Method101, Condition B																						
RoHS	Compliant																						
<table border="1" style="width: 100%;"> <tr> <td style="width: 30%;"><b>Tooling</b></td> <td></td> </tr> </table>		<b>Tooling</b>																					
<b>Tooling</b>																							

Notice: JYEBAO reserves the right to make modifications deemed appropriate.

# 7/16-864C-0000

S11

