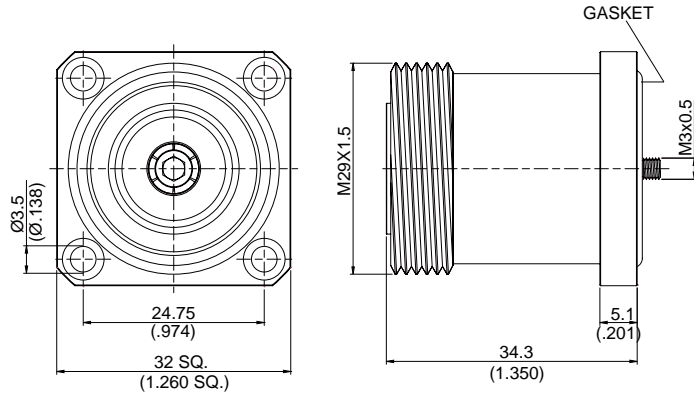


7/16-864B-0000

7/16 Jack For Panel Receptacle 50Ω



1X10⁻⁶ atm cc/sec Hermeticity

Parts	Material	Plating(Micro-inch)
Gasket	Silicon	
Contact Pin	Phosphor Bronze	Silver 150 Over Copper 50
Insulator	Teflon	
Body	Brass	Tin-Zinc-Copper-Alloy 100 Over Copper 50

Weight: 116.93 g

IP67 (Mated
&Unmated)

This part number complies with RoHS.

Notice: JYEBAC reserves the right to make modifications deemed appropriate.