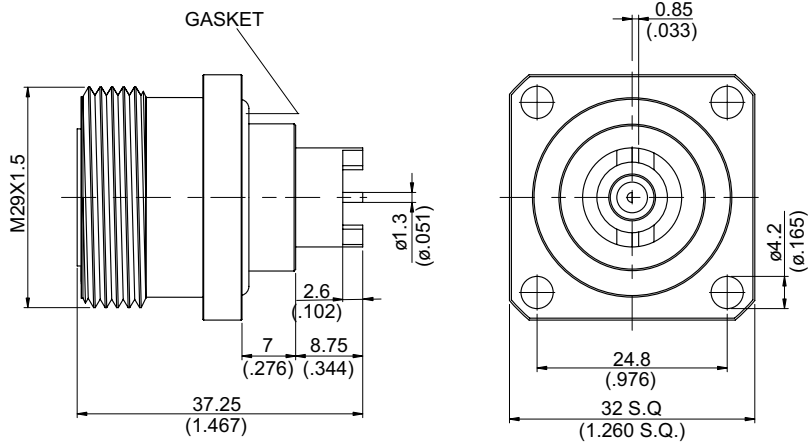
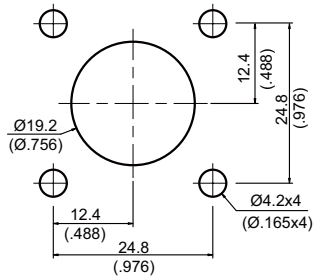


7/16-8641-0000/W

7/16 Jack For Panel Receptacle 50Ω



**MOUNTING HOLE**



**NOTE: COMES WITH A CAP**

Parts	Material	Plating(Micro-inch)
Gasket	Silicon	
Contact Pin	Phosphor Bronze	Silver 150 Over Copper 50
Insulator	Teflon	
Body	Brass	Tin-Zinc-Copper-Alloy 100 Over Copper 50

Weight: 88.58g

This part number complies with RoHS.

Notice: JYEBAO reserves the right to make modifications deemed appropriate.