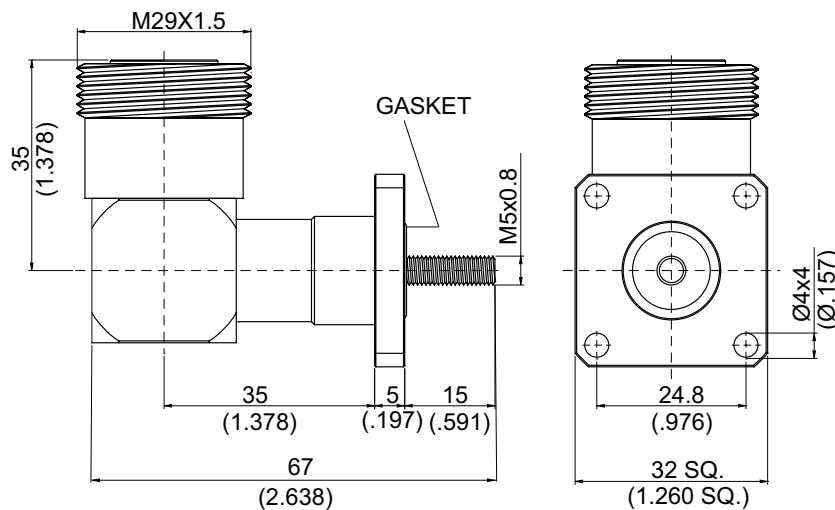


7/16-8640-9000

**7/16 Jack SQ 32mm 4 Hole Flange Right Angle** 50Ω  
**With M5 Contact (L=15); 5GHz VSWR 1.2**



Parts	Material	Plating(Micro-inch)
Nut	Brass	Tin-Zinc-Copper-Alloy 100 Over Copper 50
Gasket	Silicon	
Insulator	Teflon	
Contact Pin	Phosphor Bronze	Silver 150 Over Copper 50
Body	Brass	Tin-Zinc-Copper-Alloy 100 Over Copper 50

Weight: 243.71 g

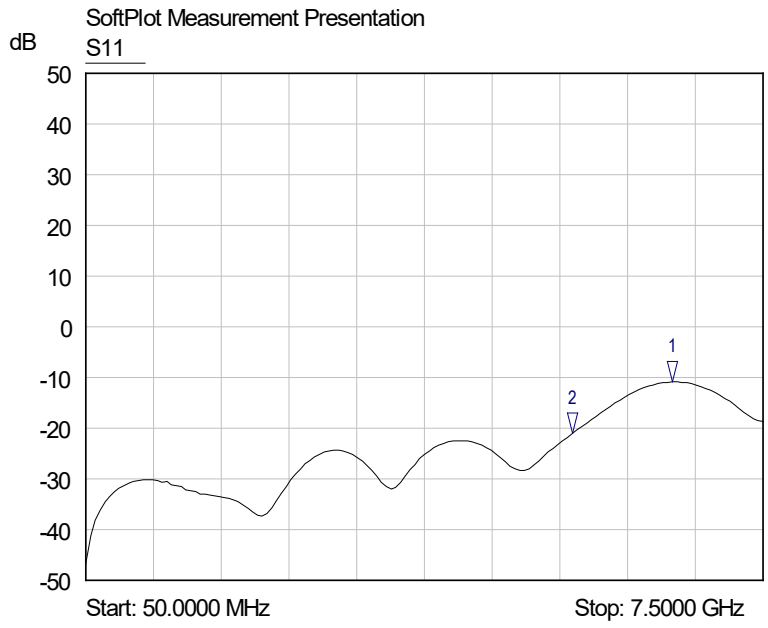
This part number complies with RoHS.

Notice: JYEBAO reserves the right to make modifications deemed appropriate.

7/16	7/16-8640-9000																				
<div data-bbox="167 348 565 390" style="border: 1px solid black; padding: 2px;">Interface</div> <p>IEC 60169-4</p>																					
<div data-bbox="167 464 565 506" style="border: 1px solid black; padding: 2px;">Electrical Data</div> <table border="0" style="width: 100%;"> <tr> <td style="width: 50%;">Impedance</td> <td style="width: 50%;">50Ω</td> </tr> <tr> <td>Frequency range</td> <td>DC to 5GHz</td> </tr> <tr> <td>VSWR</td> <td>≤ 1.2 (DC to 5GHz)</td> </tr> <tr> <td>Insertion loss</td> <td>≤ 0.05dB</td> </tr> <tr> <td>Insulation resistance</td> <td>≥ 10000MΩ</td> </tr> <tr> <td>Contact resistance inner conductor</td> <td>≤ 0.4mΩ</td> </tr> <tr> <td>Contact resistance outer conductor</td> <td>≤ 1.5mΩ</td> </tr> <tr> <td>Dielectric withstanding voltage (at sea level)</td> <td>4000 V rms</td> </tr> <tr> <td>Working Voltage (at sea level)</td> <td>2700 V rms</td> </tr> <tr> <td>Rf leakage</td> <td>≥ 128dB to 1GHz</td> </tr> </table>		Impedance	50Ω	Frequency range	DC to 5GHz	VSWR	≤ 1.2 (DC to 5GHz)	Insertion loss	≤ 0.05dB	Insulation resistance	≥ 10000MΩ	Contact resistance inner conductor	≤ 0.4mΩ	Contact resistance outer conductor	≤ 1.5mΩ	Dielectric withstanding voltage (at sea level)	4000 V rms	Working Voltage (at sea level)	2700 V rms	Rf leakage	≥ 128dB to 1GHz
Impedance	50Ω																				
Frequency range	DC to 5GHz																				
VSWR	≤ 1.2 (DC to 5GHz)																				
Insertion loss	≤ 0.05dB																				
Insulation resistance	≥ 10000MΩ																				
Contact resistance inner conductor	≤ 0.4mΩ																				
Contact resistance outer conductor	≤ 1.5mΩ																				
Dielectric withstanding voltage (at sea level)	4000 V rms																				
Working Voltage (at sea level)	2700 V rms																				
Rf leakage	≥ 128dB to 1GHz																				
<div data-bbox="167 1052 565 1094" style="border: 1px solid black; padding: 2px;">Mechanical Data</div> <table border="0" style="width: 100%;"> <tr> <td style="width: 50%;">Recommended coupling nut torque</td> <td style="width: 50%;">260 inch lbs</td> </tr> <tr> <td>Coupling proof torque</td> <td>310 inch lbs</td> </tr> <tr> <td>Contact captivation-axial</td> <td>≥ 45 lbs</td> </tr> <tr> <td>Durability (mating)</td> <td>≥ 500</td> </tr> </table>		Recommended coupling nut torque	260 inch lbs	Coupling proof torque	310 inch lbs	Contact captivation-axial	≥ 45 lbs	Durability (mating)	≥ 500												
Recommended coupling nut torque	260 inch lbs																				
Coupling proof torque	310 inch lbs																				
Contact captivation-axial	≥ 45 lbs																				
Durability (mating)	≥ 500																				
<div data-bbox="167 1402 565 1444" style="border: 1px solid black; padding: 2px;">Environmental Data</div> <table border="0" style="width: 100%;"> <tr> <td style="width: 50%;">Temperature range</td> <td style="width: 50%;">-65°C to +165°C</td> </tr> <tr> <td>Thermal shock</td> <td>MIL-STD-202, Method107, Condition B</td> </tr> <tr> <td>Moisture resistance</td> <td>MIL-STD-202, Method106</td> </tr> <tr> <td>Corrosion</td> <td>MIL-STD-202, Method101, Condition B</td> </tr> <tr> <td>RoHS</td> <td>Compliant</td> </tr> </table>		Temperature range	-65°C to +165°C	Thermal shock	MIL-STD-202, Method107, Condition B	Moisture resistance	MIL-STD-202, Method106	Corrosion	MIL-STD-202, Method101, Condition B	RoHS	Compliant										
Temperature range	-65°C to +165°C																				
Thermal shock	MIL-STD-202, Method107, Condition B																				
Moisture resistance	MIL-STD-202, Method106																				
Corrosion	MIL-STD-202, Method101, Condition B																				
RoHS	Compliant																				
<div data-bbox="167 1757 565 1799" style="border: 1px solid black; padding: 2px;">Tooling</div>																					

# 7/16-8640-9000

S11



- 1 S11
- ▽ 6.5032 GHz
- 10.90 dB
- 2 S11
- ▽ 5.4014 GHz
- 21.06 dB