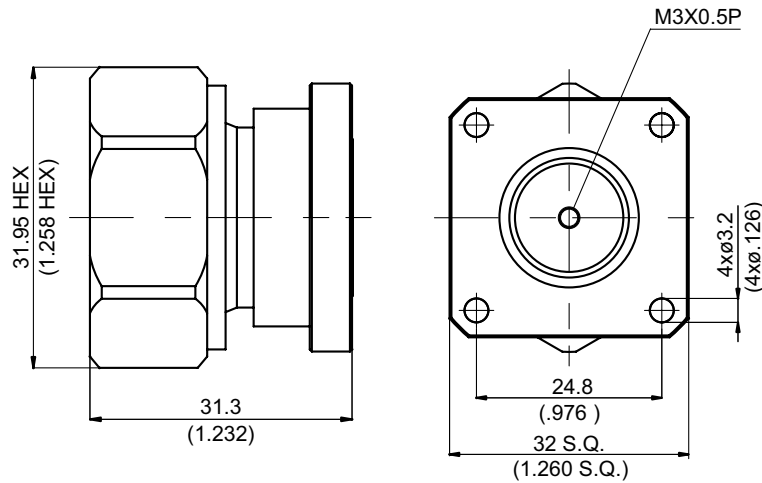


7/16-3640-0000 **7/16 Plug SQ 32mm 4 Hole Flange With M3 Contact; 7.5GHz VSWR 1.25** **50Ω**



Parts	Material	Plating(Micro-inch)
Gasket	Silicon	
Retainer Ring	Brass	Tin-Zinc-Copper-Alloy 100 Over Copper 50
Contact Pin	Brass	Silver 150 Over Copper 50
Insulator	Teflon	
Body	Brass	Tin-Zinc-Copper-Alloy 100 Over Copper 50
Coupling Nut	Brass	Tin-Zinc-Copper-Alloy 100 Over Copper 50

Weight: 125.33 g

This part number complies with RoHS.

Notice: JYEBAO reserves the right to make modifications deemed appropriate.

7/16	7/16-3640-0000																						
<table border="1"> <tr> <td colspan="2">Interface</td> </tr> <tr> <td colspan="2">IEC 60169-4</td> </tr> </table>		Interface		IEC 60169-4																			
Interface																							
IEC 60169-4																							
<table border="1"> <tr> <td colspan="2">Electrical Data</td> </tr> <tr> <td>Impedance</td> <td>50Ω</td> </tr> <tr> <td>Frequency range</td> <td>DC to 7.5GHz</td> </tr> <tr> <td>VSWR</td> <td>≤ 1.25 (DC to 7.5GHz)</td> </tr> <tr> <td>Insertion loss</td> <td>≤ 0.05dB</td> </tr> <tr> <td>Insulation resistance</td> <td>≥ 10000MΩ</td> </tr> <tr> <td>Contact resistance inner conductor</td> <td>≤ 0.4mΩ</td> </tr> <tr> <td>Contact resistance outer conductor</td> <td>≤ 1.5mΩ</td> </tr> <tr> <td>Dielectric withstanding voltage (at sea level)</td> <td>4000 V rms</td> </tr> <tr> <td>Working Voltage (at sea level)</td> <td>2700 V rms</td> </tr> <tr> <td>Rf leakage</td> <td>≥ 1 28dB to 1GHz</td> </tr> </table>		Electrical Data		Impedance	50Ω	Frequency range	DC to 7.5GHz	VSWR	≤ 1.25 (DC to 7.5GHz)	Insertion loss	≤ 0.05dB	Insulation resistance	≥ 10000MΩ	Contact resistance inner conductor	≤ 0.4mΩ	Contact resistance outer conductor	≤ 1.5mΩ	Dielectric withstanding voltage (at sea level)	4000 V rms	Working Voltage (at sea level)	2700 V rms	Rf leakage	≥ 1 28dB to 1GHz
Electrical Data																							
Impedance	50Ω																						
Frequency range	DC to 7.5GHz																						
VSWR	≤ 1.25 (DC to 7.5GHz)																						
Insertion loss	≤ 0.05dB																						
Insulation resistance	≥ 10000MΩ																						
Contact resistance inner conductor	≤ 0.4mΩ																						
Contact resistance outer conductor	≤ 1.5mΩ																						
Dielectric withstanding voltage (at sea level)	4000 V rms																						
Working Voltage (at sea level)	2700 V rms																						
Rf leakage	≥ 1 28dB to 1GHz																						
<table border="1"> <tr> <td colspan="2">Mechanical Data</td> </tr> <tr> <td>Recommended coupling nut torque</td> <td>260 inch lbs</td> </tr> <tr> <td>Coupling proof torque</td> <td>310 inch lbs</td> </tr> <tr> <td>Coupling nut retention force</td> <td>≥ 221 lbs</td> </tr> <tr> <td>Contact captivation-axial</td> <td>≥ 45 lbs</td> </tr> <tr> <td>Durability (mating)</td> <td>≥ 500</td> </tr> </table>		Mechanical Data		Recommended coupling nut torque	260 inch lbs	Coupling proof torque	310 inch lbs	Coupling nut retention force	≥ 221 lbs	Contact captivation-axial	≥ 45 lbs	Durability (mating)	≥ 500										
Mechanical Data																							
Recommended coupling nut torque	260 inch lbs																						
Coupling proof torque	310 inch lbs																						
Coupling nut retention force	≥ 221 lbs																						
Contact captivation-axial	≥ 45 lbs																						
Durability (mating)	≥ 500																						
<table border="1"> <tr> <td colspan="2">Environmental Data</td> </tr> <tr> <td>Temperature range</td> <td>-65°C to +165°C</td> </tr> <tr> <td>Thermal shock</td> <td>MIL-STD-202, Method107, Condition B</td> </tr> <tr> <td>Moisture resistance</td> <td>MIL-STD-202, Method106</td> </tr> <tr> <td>Corrosion</td> <td>MIL-STD-202, Method101, Condition B</td> </tr> <tr> <td>RoHS</td> <td>Compliant</td> </tr> </table>		Environmental Data		Temperature range	-65°C to +165°C	Thermal shock	MIL-STD-202, Method107, Condition B	Moisture resistance	MIL-STD-202, Method106	Corrosion	MIL-STD-202, Method101, Condition B	RoHS	Compliant										
Environmental Data																							
Temperature range	-65°C to +165°C																						
Thermal shock	MIL-STD-202, Method107, Condition B																						
Moisture resistance	MIL-STD-202, Method106																						
Corrosion	MIL-STD-202, Method101, Condition B																						
RoHS	Compliant																						
<table border="1"> <tr> <td colspan="2">Tooling</td> </tr> </table>		Tooling																					
Tooling																							

Notice: JYEBAO reserves the right to make modifications deemed appropriate.

7/16-3640-0000

S11

