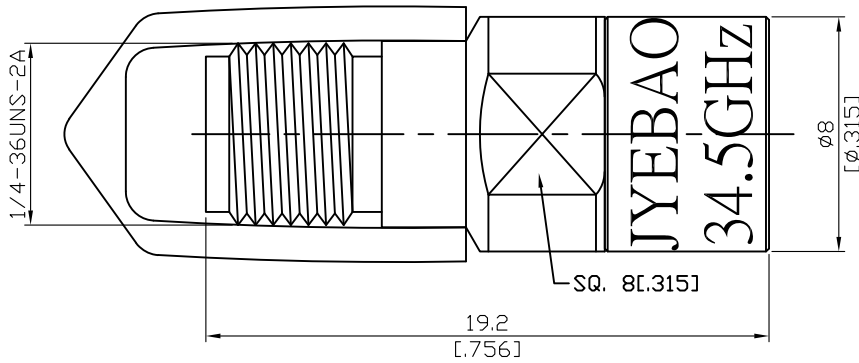


3.5-8900S-0035-1.15

1 Watt 50ohm 3.5mm Jack Termination
34.5GHz VSWR 1.15

50Ω



1 W Average Power From -40°C to 70°C Linearly Derated To 0.7 Watt at 105°C

Parts	Material	Plating (Micro-inch)
Contact Pin	Beryllium Copper	Gold 4 Over Nickel-Phosphorus Alloy 80 Over Copper 20
Insulator	PPO	
Body	Stainless Steel	Passivated
Cover	Aluminum	Anodized (Green)
Dust Cap	PVC	

This part number complies with RoHS.

Notice: JYEBAO reserves the right to make modifications deemed appropriate.

3.5	3.5-8900S-0035-1.15
<div style="border: 1px solid black; padding: 2px; margin-bottom: 5px;">Interface</div> IEC 60169-23 Mechanically compatible with 2.92 & SMA	
<div style="border: 1px solid black; padding: 2px; margin-bottom: 5px;">Electrical Data</div> Impedance 50Ω Frequency range DC to 34.5GHz VSWR ≤ 1.15 to 34.5GHz Insertion loss ≤ 0.03 x √f(GHz) dB Insulation resistance ≥ 5000MΩ Contact resistance inner conductor ≤ 3mΩ Contact resistance outer conductor ≤ 2mΩ Dielectric withstanding voltage (at sea level) 1000 V rms Working voltage (at sea level) 335 V rms RF leakage ≥ 100dB to 1GHz	
<div style="border: 1px solid black; padding: 2px; margin-bottom: 5px;">Mechanical Data</div> Recommended coupling nut torque 7.1 to 9.7 inch lbs Coupling proof torque 15 inch lbs Coupling nut retention force ≥ 60.7 lbs Contact captivation-axial ≥ 6.1 lbs Durability (mating) ≥ 500	
<div style="border: 1px solid black; padding: 2px; margin-bottom: 5px;">Environmental Data</div> Temperature range -55°C to +105°C Thermal shock MIL-STD-202, Method 107, Condition B Moisture resistance MIL-STD-202, Method 106 Corrosion MIL-STD-202, Method 101, Condition B RoHS Compliant	
<div style="border: 1px solid black; padding: 2px; margin-bottom: 5px;">Tooling</div>	