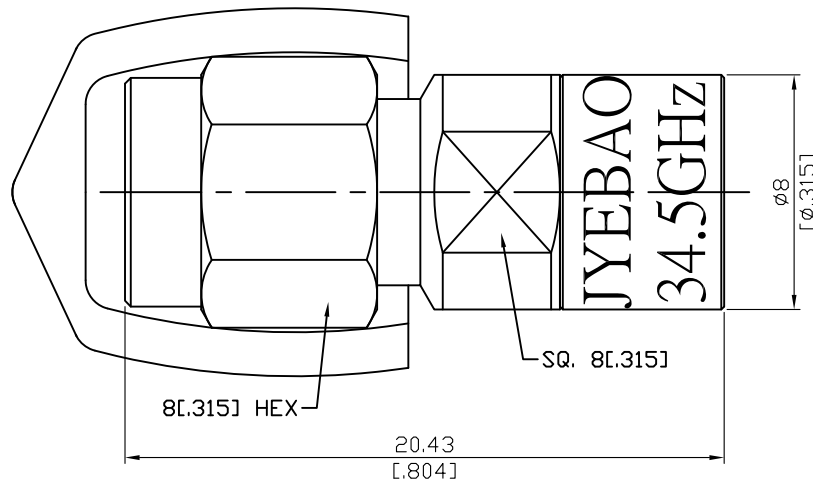


3.5-3900S-0035-1.15

1 Watt 50ohm 3.5mm Plug Termination
34.5GHz VSWR 1.15

50Ω



1 W Average Power From -40°C to 70°C Linearly Derated To 0.7 Watt at 105°C

Parts	Material	Plating (Micro-inch)
Retainer Ring	Beryllium Copper	Tin-Zinc-Copper-Alloy 100 Over Copper 50
Gasket	Silicone	
Contact Pin	Beryllium Copper	Gold 4 Over Nickel-Phosphorus Alloy 80 Over Copper 20
Insulator	PPO	
Body	Stainless Steel	Passivated
Coupling Nut	Stainless Steel	Passivated
Cover	Aluminum	Anodized (Green)
Dust Cap	PVC	

This part number complies with RoHS.

Notice: JYEBAO reserves the right to make modifications deemed appropriate.

3.5	3.5-3900S-0035-1.15
<div style="border: 1px solid black; padding: 2px; margin-bottom: 5px;">Interface</div> <p>IEC 60169-23 Mechanically compatible with</p>	
	2.92 & SMA
<div style="border: 1px solid black; padding: 2px; margin-bottom: 5px;">Electrical Data</div> <p>Impedance Frequency range VSWR Insertion loss Insulation resistance Contact resistance inner conductor Contact resistance outer conductor Dielectric withstanding voltage (at sea level) Working voltage (at sea level) RF leakage</p>	
	<p>50Ω DC to 34.5GHz ≤ 1.15 to 34.5GHz ≤ 0.03 x √f(GHz) dB ≥ 5000MΩ ≤ 3mΩ ≤ 2mΩ 1000 V rms 335 V rms ≥ 100dB to 1GHz</p>
<div style="border: 1px solid black; padding: 2px; margin-bottom: 5px;">Mechanical Data</div> <p>Recommended coupling nut torque Coupling proof torque Coupling nut retention force Contact captivation-axial Durability (mating)</p>	
	<p>7.1 to 9.7 inch lbs 15 inch lbs ≥ 60.7 lbs ≥ 6.1 lbs ≥ 500</p>
<div style="border: 1px solid black; padding: 2px; margin-bottom: 5px;">Environmental Data</div> <p>Temperature range Thermal shock Moisture resistance Corrosion RoHS</p>	
	<p>-55°C to +105°C MIL-STD-202, Method 107, Condition B MIL-STD-202, Method 106 MIL-STD-202, Method 101, Condition B Compliant</p>
<div style="border: 1px solid black; padding: 2px; margin-bottom: 5px;">Tooling</div>	