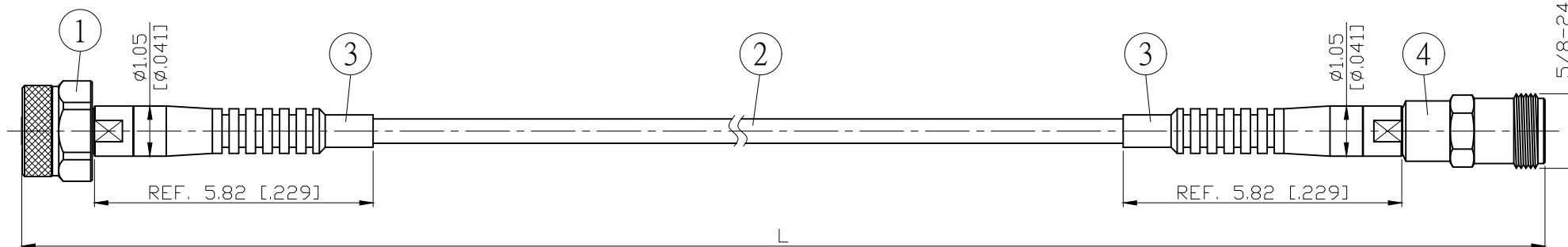


NO.	COMPONENTS	IMPEDANCE
1	2.4 NMD FEMALE	50 OHM
2	PHASETEST2	50 OHM
3	SLEEVE	
4	N FEMALE	50 OHM

REVISION			
REV.	DESCRIPTION	DATE	APPROVE
-	INITIAL RELEASE	2021/01/10	

2.4 NMD FEMALE

N FEMALE



L CM (INCH)	L1 M (MM)
50 (19.685)	0.463 (462.5)
100 (39.370)	0.963 (962.5)
150 (59.055)	1.463 (1462.5)
200 (78.740)	1.963 (1962.5)
Custom length in CM	- - -

Spec	Phase stability vs bending ⁽¹⁾	Amplitude stability vs bending ⁽²⁾	Max VSWR	Max IL	Flexure life cycle ⁽³⁾
3GHz	±0.3° typ / ±0.5° max	±0.005dB typ / ±0.01dB max	1.12 : 1	≤ (0.0128dB/cm*Lcm)+0.15dB	≥ 100000
6GHz	±0.5° typ / ±0.75° max	±0.0075dB typ / ±0.015dB max	1.15 : 1	≤ (0.0189dB/cm*Lcm)+0.20dB	
12.4GHz	±0.75° typ / ±1.0° max	±0.01dB typ / ±0.02dB max	1.20 : 1	≤ (0.0293dB/cm*Lcm)+0.25dB	
18GHz	±1.0° typ / ±1.5° max	±0.015dB typ / ±0.03dB max	1.25 : 1	≤ (0.0361dB/cm*Lcm)+0.30dB	

Notes:

- Operating Temp.: -40°C / +105°C
- Static bend radius 15mm
- Dynamic bend radius 30mm
- RoHS Compliant

- (1) Per IEC 60966-1, section 8.6, method 1
- (2) Per IEC 60966-1, section 8.4
- (3) Per IEC 60966-1, section 9.3

NO.	PARTS NO.	DESCRIPTION	Q'TY	U/M
4	U-N-F	N JACK	1	EA
3	U-PT2	SLEEVE	2	EA
2	PHASETEST2	CABLE	SEE TABLE L1	M
1	U-2.4N-F	2.4 NMD JACK	1	EA

LENGTH TOLERANCE IS ±1.5% OR ±10MM, WHICHEVER IS GREATER.	STANDARD	REV	UNIT	JYE BAO CO., LTD. TAIPEI TAIWAN
	APPROVED	-	CM(INCH)	
	CHECKED		DATE	
	DRAWING	<i>Albert</i>	DATE	
				DESCRIPTION CABLE ASSEMBLY 2.4 NMD JACK TO N JACK
				JYE BAO DRAWING NO. 248NN80-PT2-18GXXX