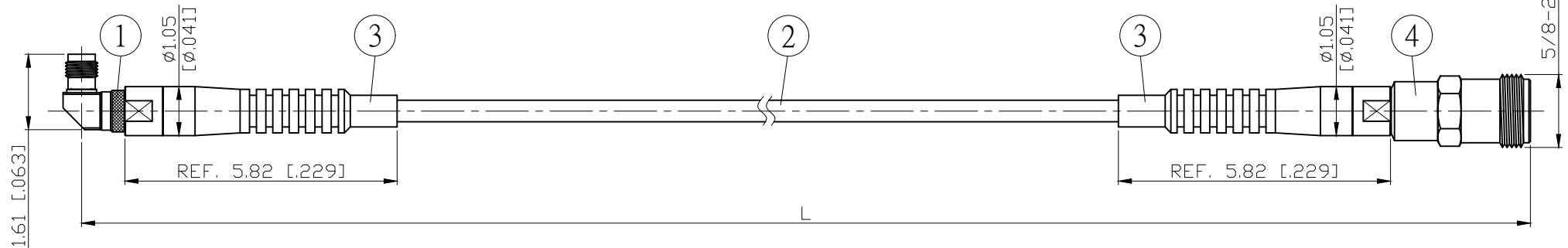


NO.	COMPONENTS	IMPEDANCE
1	2.4 FEMALE RIGHT ANGLE	50 OHM
2	6002A	50 OHM
3	SLEEVE	
4	N FEMALE	50 OHM

REVISION			
REV.	DESCRIPTON	DATE	APPROVED
-	INITIAL RELEASE	2021/04/08	

2.4 FEMALE  
RIGHT ANGLE

N FEMALE



L CM (INCH)	L1 M (MM)
50 (19.685)	0.468 (467.5)
100 (39.370)	0.968 (967.5)
150 (59.055)	1.468 (1467.5)
200 (78.740)	1.968 (1967.5)
Custom length in CM	- - -

Spec	Phase stability vs bending <sup>(1)</sup>	Amplitude stability vs bending <sup>(2)</sup>	Max VSWR	Max IL	Flexure life cycle <sup>(3)</sup>
3GHz	±0.3° typ / ±0.5° max	±0.005dB typ / ±0.01dB max	1.12 : 1	≤ (0.0128dB/cm*Lcm)+0.15dB	≥ 100000
6GHz	±0.5° typ / ±0.75° max	±0.0075dB typ / ±0.015dB max	1.15 : 1	≤ (0.0189dB/cm*Lcm)+0.20dB	
12.4GHz	±0.75° typ / ±1.0° max	±0.01dB typ / ±0.02dB max	1.20 : 1	≤ (0.0293dB/cm*Lcm)+0.25dB	
18GHz	±1.0° typ / ±1.5° max	±0.015dB typ / ±0.03dB max	1.25 : 1	≤ (0.0361dB/cm*Lcm)+0.30dB	

Notes:

- Operating Temp.: -40°C / +85°C
- Static bend radius 13.8mm
- Dynamic bend radius 30mm
- RoHS Compliant

- (1) Per IEC 60966-1, section 8.6, method 1
- (2) Per IEC 60966-1, section 8.4
- (3) Per IEC 60966-1, section 9.3

NO.	PARTS NO.	DESCRIPTION	Q'TY	U/M	LENGTH TOLERANCE IS ±1.5% OR ±10MM, WHICHEVER IS GREATER.	STANDARD	REV -	UNIT CM(INCH)	JYE BAO CO., LTD. TAIPEI TAIWAN
4	U-N-F	N JACK	1	EA		APPROVED		DATE	DESCRIPTION CABLE ASSEMBLY 2.4 JACK R/A TO N JACK JYE BAO DRAWING NO. 2489N80-62A-18GXXX
3	U-6002A	SLEEVE	2	EA		CHECKED		DATE	
2	6002A	CABLE	SEE TABLE L1	M		DRAWING	<i>Albert</i>	DATE	
1	U-2.4-F-RA	2.4 JACK R/A	1	EA				DATE	