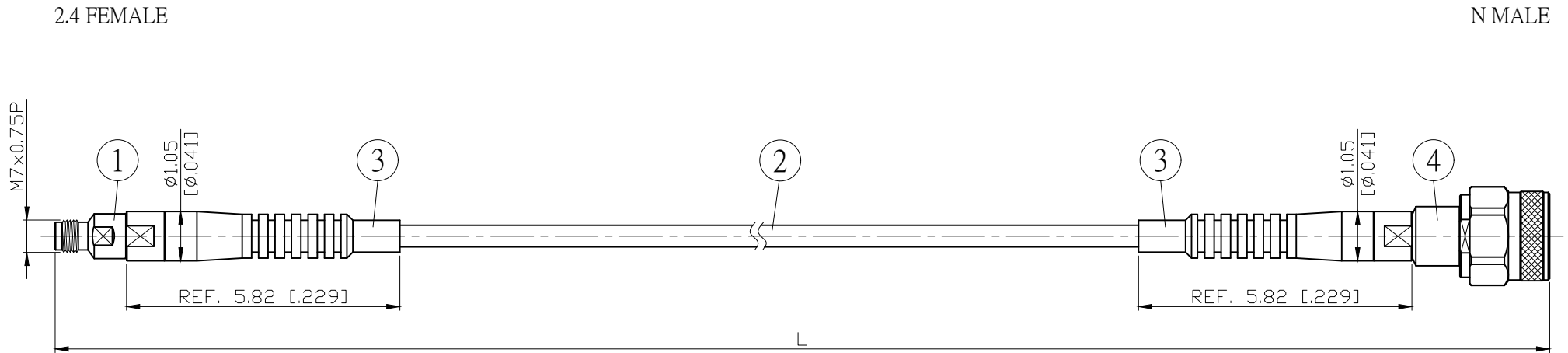


| NO. | COMPONENTS | IMPEDANCE |
|-----|------------|-----------|
| 1   | 2.4 FEMALE | 50 OHM    |
| 2   | 6002A      | 50 OHM    |
| 3   | SLEEVE     |           |
| 4   | N MALE     | 50 OHM    |

| REVISION |                 |            |          |
|----------|-----------------|------------|----------|
| REV.     | DESCRIPTON      | DATE       | APPROVED |
| -        | INITIAL RELEASE | 2021/01/05 |          |



| L<br>CM (INCH)         | L1<br>M (MM)   |
|------------------------|----------------|
| 50 (19.685)            | 0.463 (463.0)  |
| 100 (39.370)           | 0.963 (963.0)  |
| 150 (59.055)           | 1.463 (1463.0) |
| 200 (78.740)           | 1.963 (1963.0) |
| Custom length<br>in CM | - - -          |

| Spec    | Phase stability<br>vs bending <sup>(1)</sup> | Amplitude stability vs<br>bending <sup>(2)</sup> | Max VSWR | Max IL                     | Flexure life cycle <sup>(3)</sup> |
|---------|--|--|----------|----------------------------|-----------------------------------|
| 3GHz    | ±0.3° typ / ±0.5° max                        | ±0.005dB typ / ±0.01dB max                       | 1.12 : 1 | ≤ (0.0128dB/cm*Lcm)+0.15dB | ≥ 100000                          |
| 6GHz    | ±0.5° typ / ±0.75° max                       | ±0.0075dB typ / ±0.015dB max                     | 1.15 : 1 | ≤ (0.0189dB/cm*Lcm)+0.20dB |                                   |
| 12.4GHz | ±0.75° typ / ±1.0° max                       | ±0.01dB typ / ±0.02dB max                        | 1.20 : 1 | ≤ (0.0293dB/cm*Lcm)+0.25dB |                                   |
| 18GHz   | ±1.0° typ / ±1.5° max                        | ±0.015dB typ / ±0.03dB max                       | 1.25 : 1 | ≤ (0.0361dB/cm*Lcm)+0.30dB |                                   |

Notes:

1. Operating Temp.: -40°C / +85°C
2. Static bend radius 13.8mm
3. Dynamic bend radius 30mm
4. RoHS Compliant

- (1) Per IEC 60966-1, section 8.6, method 1
- (2) Per IEC 60966-1, section 8.4
- (3) Per IEC 60966-1, section 9.3

|     |           |             |              |          |   |     |   |      |          |                                   |  |  |
|-----|-----------|-------------|--------------|----------|---|-----|---|------|----------|-----------------------------------|--|--|
|     |           |             |              | STANDARD |   | REV | - | UNIT | CM(INCH) | <b>JYE BAO CO., LTD.</b>          |  |  |
|     |           |             |              | APPROVED |   |     |   | DATE |          | TAIPEI TAIWAN                     |  |  |
|     |           |             |              | CHECKED  |   |     |   | DATE |          | DESCRIPTION                       |  |  |
|     |           |             |              | DRAWING  |   |     |   | DATE |          | CABLE ASSEMBLY 2.4 JACK TO N PLUG |  |  |
|     |           |             |              | Albert   |   |     |   | DATE |          | JYE BAO DRAWING NO.               |  |  |
|     |           |             |              |          |   |     |   | DATE |          | 2480N30-62A-18GXXX                |  |  |
| 4   | U-N-M     | N PLUG      | 1            | EA       | LENGTH TOLERANCE IS ±1.5% OR ±10MM, WHICHEVER IS GREATER. |     |   |      |          |                                   |  |  |
| 3   | U-6002A   | SLEEVE      | 2            | EA       |   |     |   |      |          |                                   |  |  |
| 2   | 6002A     | CABLE       | SEE TABLE L1 | M        |   |     |   |      |          |                                   |  |  |
| 1   | U-2.4-F   | 2.4 JACK    | 1            | EA       |   |     |   |      |          |                                   |  |  |
| NO. | PARTS NO. | DESCRIPTION | Q'TY         | U/M      |   |     |   |      |          |                                   |  |  |