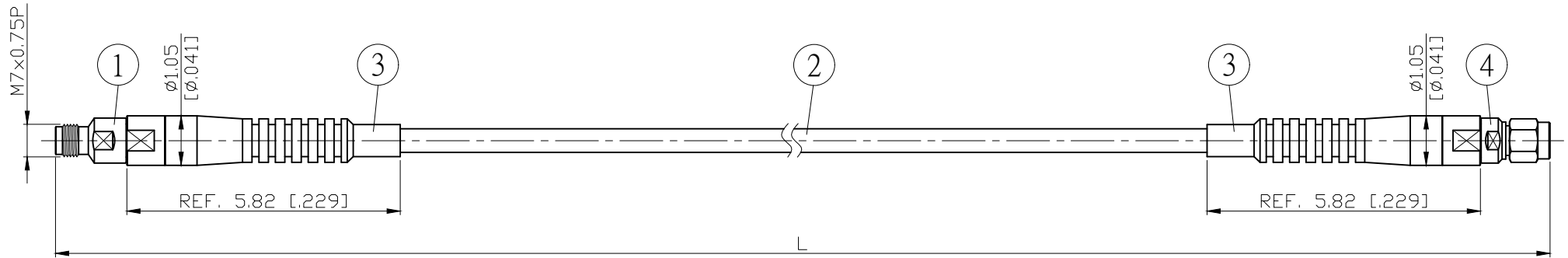


O.	COMPONENTS	IMPEDANCE
1	2.4 FEMALE	50 OHM
2	PHASETEST2	50 OHM
3	SLEEVE	
4	SMA MALE	50 OHM

REVISION			
REV.	DESCRIPTON	DATE	APPROVED
-	INITIAL RELEASE	2021/01/05	

2.4 FEMALE

SMA MALE



L CM (INCH)	L1 M (MM)
50 (19.685)	0.478 (477.5)
100 (39.370)	0.978 (977.5)
150 (59.055)	1.478 (1477.5)
200 (78.740)	1.978 (1977.5)
Custom length in CM	- - -

Spec	Phase stability vs bending <sup>(1)</sup>	Amplitude stability vs bending <sup>(2)</sup>	Max VSWR	Max IL	Flexure life cycle <sup>(3)</sup>
3GHz	±0.3° typ / ±0.5° max	±0.005dB typ / ±0.01dB max	1.12 : 1	≤ (0.0128dB/cm*Lcm)+0.15dB	≥ 100000
6GHz	±0.5° typ / ±0.75° max	±0.0075dB typ / ±0.015dB max	1.15 : 1	≤ (0.0189dB/cm*Lcm)+0.20dB	
12.4GHz	±0.75° typ / ±1.0° max	±0.01dB typ / ±0.02dB max	1.20 : 1	≤ (0.0293dB/cm*Lcm)+0.25dB	
18GHz	±1.0° typ / ±1.5° max	±0.015dB typ / ±0.03dB max	1.25 : 1	≤ (0.0361dB/cm*Lcm)+0.30dB	
26.5GHz	±1.5° typ / ±2.0° max	±0.02dB typ / ±0.04dB max	1.25 : 1	≤ (0.0450dB/cm*Lcm)+0.40dB	

Notes:

- Operating Temp.: -40°C / +105°C
- Static bend radius 15mm
- Dynamic bend radius 30mm
- RoHS Compliant

- (1) Per IEC 60966-1, section 8.6, method 1
- (2) Per IEC 60966-1, section 8.4
- (3) Per IEC 60966-1, section 9.3

O.	PARTS NO.	DESCRIPTION	QTY	UM
4	U-SMA-M	SMA PLUG	1	EA
3	U-PT2	SLEEVE	2	EA
2	PHASETEST2	CABLE	SEE TABLE L1	M
1	U-2.4-F	2.4 JACK	1	EA

LENGTH TOLERANCE  
IS ±1.5% OR ±10MM,  
WHICHEVER IS  
GREATER.

STANDARD	REV	UNIT	JYE BAO CO., LTD.	
APPROVED	-	CM(INCH)	TAIPEI TAIWAN	
CHECKED		DATE	DESCRIPTION	
DRAWING		DATE	CABLE ASSEMBLY 2.4 JACK TO SMA PLUG	
		DATE	JYE BAO DRAWING NO.	
		DATE	2480A30-PT2-26.5GX XX	

*Albert*