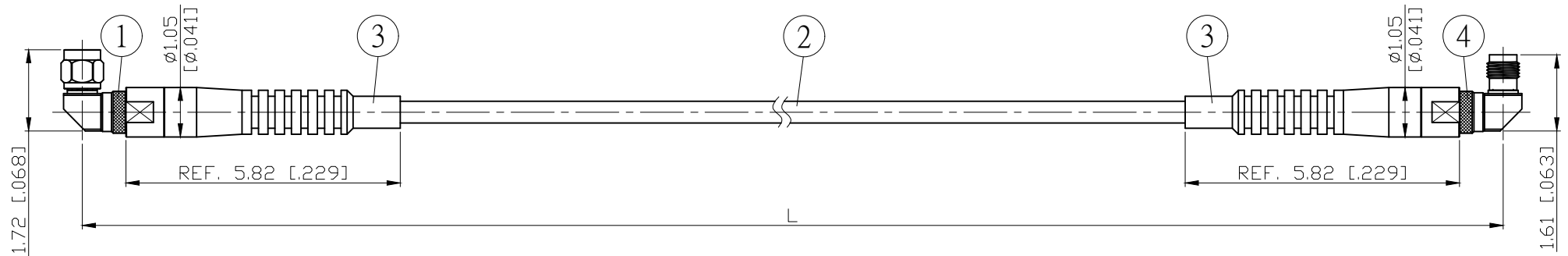


| NO. | COMPONENTS | IMPEDANCE |
|-----|------------------------|-----------|
| 1 | 2.4 MALE RIGHT ANGLE | 50 OHM |
| 2 | 6002A | 50 OHM |
| 3 | SLEEVE | |
| 4 | 2.4 FEMALE RIGHT ANGLE | 50 OHM |

| REVISION | | | |
|----------|-----------------|------------|----------|
| REV. | DESCRIPTON | DATE | APPROVED |
| - | INITIAL RELEASE | 2021/03/24 | |

2.4 MALE
RIGHT ANGLE

2.4 FEMALE
RIGHT ANGLE



| L CM (INCH) | L1 M (MM) |
|------------------------|----------------|
| 50 (19.685) | 0.488 (487.5) |
| 100 (39.370) | 0.988 (987.5) |
| 150 (59.055) | 1.488 (1487.5) |
| 200 (78.740) | 1.988 (1987.5) |
| Custom length in CM | - - - |

| Spec | Phase stability vs bending ⁽¹⁾ | Amplitude stability vs bending ⁽²⁾ | Max VSWR | Max IL | Flexure life cycle ⁽³⁾ |
|---------|--|--|----------|----------------------------|-----------------------------------|
| 3GHz | ±0.3° typ / ±0.5° max | ±0.005dB typ / ±0.01dB max | 1.12 : 1 | ≤ (0.0128dB/cm*Lcm)+0.15dB | ≥ 100000 |
| 6GHz | ±0.5° typ / ±0.75° max | ±0.0075dB typ / ±0.015dB max | 1.15 : 1 | ≤ (0.0189dB/cm*Lcm)+0.20dB | |
| 12.4GHz | ±0.75° typ / ±1.0° max | ±0.01dB typ / ±0.02dB max | 1.20 : 1 | ≤ (0.0293dB/cm*Lcm)+0.25dB | |
| 18GHz | ±1.0° typ / ±1.5° max | ±0.015dB typ / ±0.03dB max | 1.25 : 1 | ≤ (0.0361dB/cm*Lcm)+0.30dB | |
| 26.5GHz | ±1.5° typ / ±2.0° max | ±0.02dB typ / ±0.04dB max | 1.25 : 1 | ≤ (0.0450dB/cm*Lcm)+0.40dB | |
| 40GHz | ±2.0° typ / ±3.5° max | ±0.03dB typ / ±0.06dB max | 1.30 : 1 | ≤ (0.0568dB/cm*Lcm)+0.50dB | |
| 50GHz | ±3.0° typ / ±8.0° max | ±0.04dB typ / ±0.08dB max | 1.30 : 1 | ≤ (0.0640dB/cm*Lcm)+0.70dB | |

Notes:

- Operating Temp.: -40°C / +85°C
- Static bend radius 13.8mm
- Dynamic bend radius 30mm
- RoHS Compliant

- (1) Per IEC 60966-1, section 8.6, method 1
- (2) Per IEC 60966-1, section 8.4
- (3) Per IEC 60966-1, section 9.3

| | | | | | STANDARD | REV - | UNIT CM(INCH) | JYE BAO CO., LTD. | |
|-----|-----------|-------------|------|-----|---------------|----------|------------------|---|--|
| | | | | | APPROVED | | | TAIPEI TAIWAN | |
| | | | | | CHECKED | | DATE | DESCRIPTION | |
| | | | | | DRAWING | | DATE | CABLE ASSEMBLY 2.4 PLUG R/A TO 2.4 JACK R/A | |
| | | | | | <i>Albert</i> | | DATE | JYE BAO DRAWING NO. | |
| | | | | | | | | 24392489-62A-50GXXX | |
| NO. | PARTS NO. | DESCRIPTION | Q'TY | U/M | | | | | |

LENGTH TOLERANCE
IS ±1.5% OR ±10MM,
WHICHEVER IS
GREATER.