

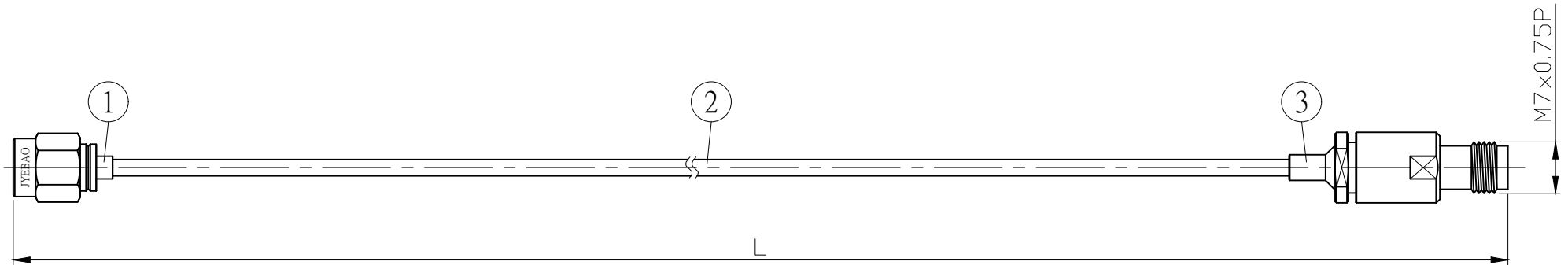
NO.	COMPONENTS	IMPEDANCE
1	2.4 MALE	50 OHM
2	.085" HANDBENDABLE CABLE (= JYEBAO P/N .085SRF-W-P-50)	50 OHM
3	2.4 FEMALE	50 OHM

REVISION			
REV.	DESCRIPTION	DATE	APPROVED
-	INITIAL RELEASE	2020/10/07	

**TEST LEAD WITH EXTRA STURDY
CABLE / CONNECTOR CONNECTION.**

2.4 MALE

2.4 FEMALE



JYE BAO P/N	Freq. (GHz)	Max. Return Loss	L CM (INCH)
24302480-85S-50GXXX	50	-15.5dB	50 (19.685)
			100 (39.370)
			150 (59.055)
			200 (78.740)
			CUSTOM LENGTH IN CM

LENGTH TOLERANCE
IS $\pm 1.5\%$ OR $\pm 10\text{MM}$,
WHICHEVER IS
GREATER.

JYE BAO CO., LTD.

TAIPEI TAIWAN

DESCRIPTION

CABLE ASSEMBLY 2.4 PLUG TO 2.4 JACK

JYE BAO DRAWING NO.

24302480-85S-50GXXX