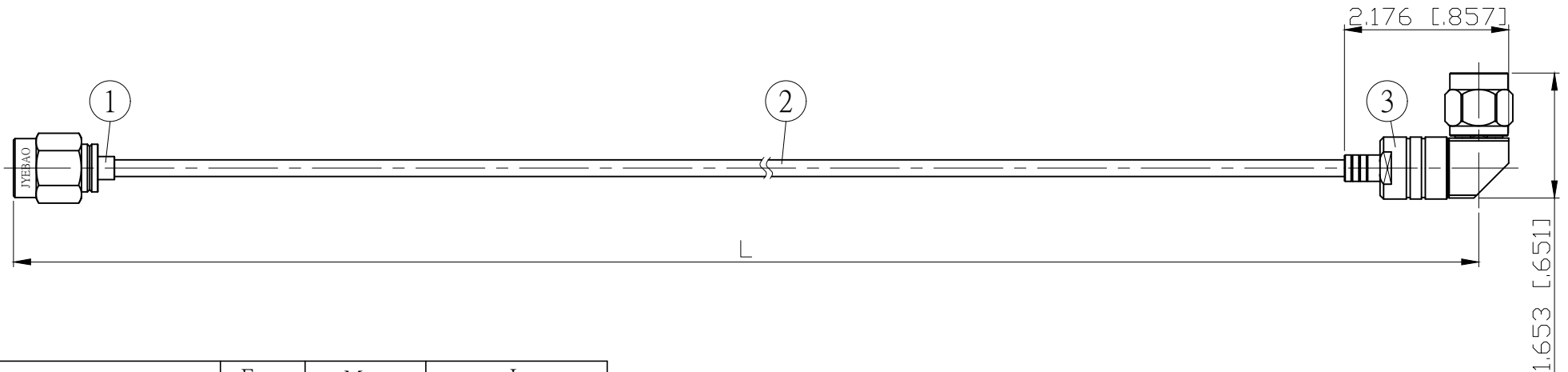


NO.	COMPONENTS	IMPEDANCE
1	2.4 MALE	50 OHM
2	.085" HANDBENDABLE CABLE (= JYEBAO P/N .085SRF-W-P-50)	50 OHM
3	2.4 MALE RIGHT ANGLE	

REVISION			
REV.	DESCRIPTON	DATE	APPROVED
-	INITIAL RELEASE	2020/01/15	

2.4 MALE

2.4 MALE  
RIGHT ANGLE



JYE BAO P/N	Freq. (GHz)	Max. Return Loss	L CM (INCH)
24302439-85S-50GXXX	50	-15.5dB	50 (19.685)
			100 (39.370)
			150 (59.055)
			200 (78.740)
			CUSTOM LENGTH IN CM

LENGTH TOLERANCE  
IS  $\pm 1.5\%$  OR  $\pm 10\text{MM}$ ,  
WHICHEVER IS  
GREATER.

**JYE BAO CO., LTD.**

TAIPEI TAIWAN

DESCRIPTION

CABLE ASSEMBLY 2.4 PLUG TO 2.4 PLUG R/A

JYE BAO DRAWING NO.

24302439-85S-50GXXX