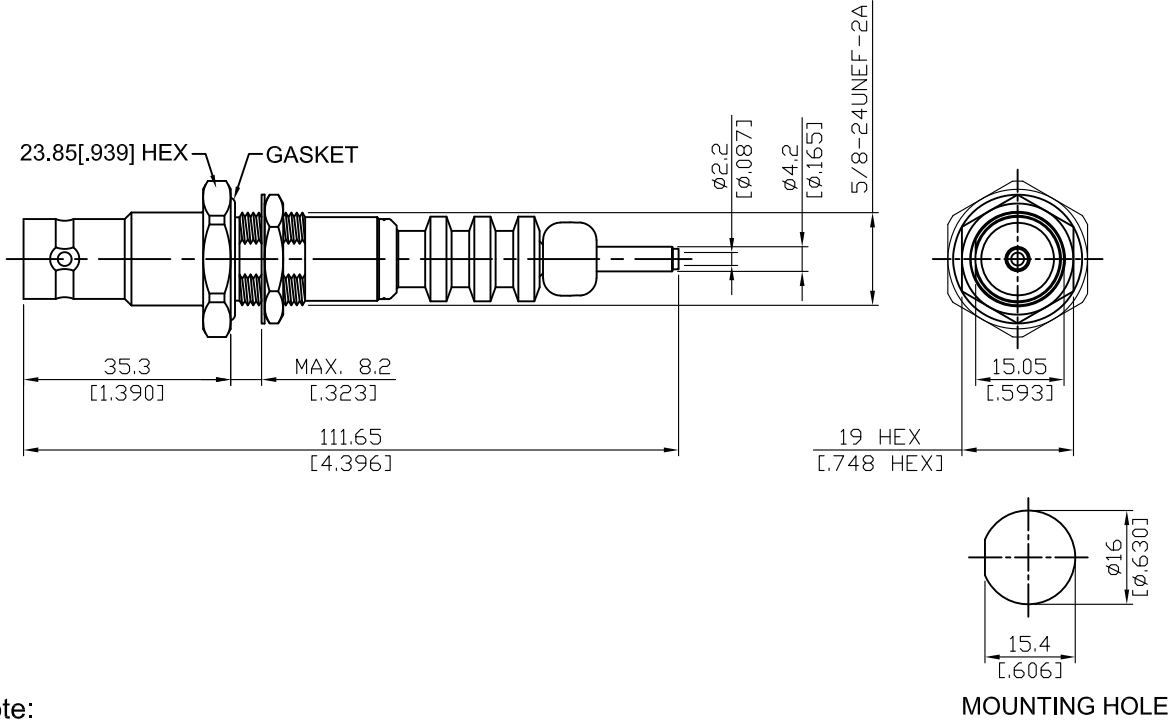


20KV-8500-0000

20KV Jack Bulkhead, Hermetic  $1 \times 10^{-6}$  cc/sec of helium at 1atm, With Round Contact ( $\Phi 2.2$ ; L=13.95)



Note:

1. Dielectric is high density polyethylene.
2. This design has hermetic seals to ensure that leakage is smaller than  $1 \times 10^{-6}$  atm cc/sec of tracer gas at atmospheric pressure.

Parts	Material	Plating ( Micro-inch )
Body	Brass	Tin-Zinc-Copper-Alloy 100 Over Copper 50
Gasket	Silicone	
Hex Nut	Brass	Tin-Zinc-Copper-Alloy 100 Over Copper 50
Washer	Brass	Tin-Zinc-Copper-Alloy 100 Over Copper 50
Contact Pin	Brass	Gold 4 Over Nickel-Phosphorus Alloy 80 Over Copper 20
Insulator	High density polyethylene	
Body	Brass	Nickel 100 Over Copper 50

This part number complies with RoHS.

Notice: JYEBAO reserves the right to make modifications deemed appropriate.

20KV	20KV-8500-0000
<b>Interface</b>	
Mechanically compatible with	Kings 20KV series
<b>Electrical Data</b>	
Impedance	non constant
Insulation resistance	1000GΩ
Contact resistance inner conductor	≤3mΩ
Contact resistance outer conductor	≤2mΩ
Test voltage (at sea level)	30KVDC
Working Voltage (at sea level)	20KVDC
<b>Environmental Data</b>	
Temperature range	-55°C to +85°C
Corrosion	MIL-STD-202, Method 101, Condition B
RoHS	Compliant
<b>Tooling</b>	

Notice: JYEBAO reserves the right to make modifications deemed appropriate.