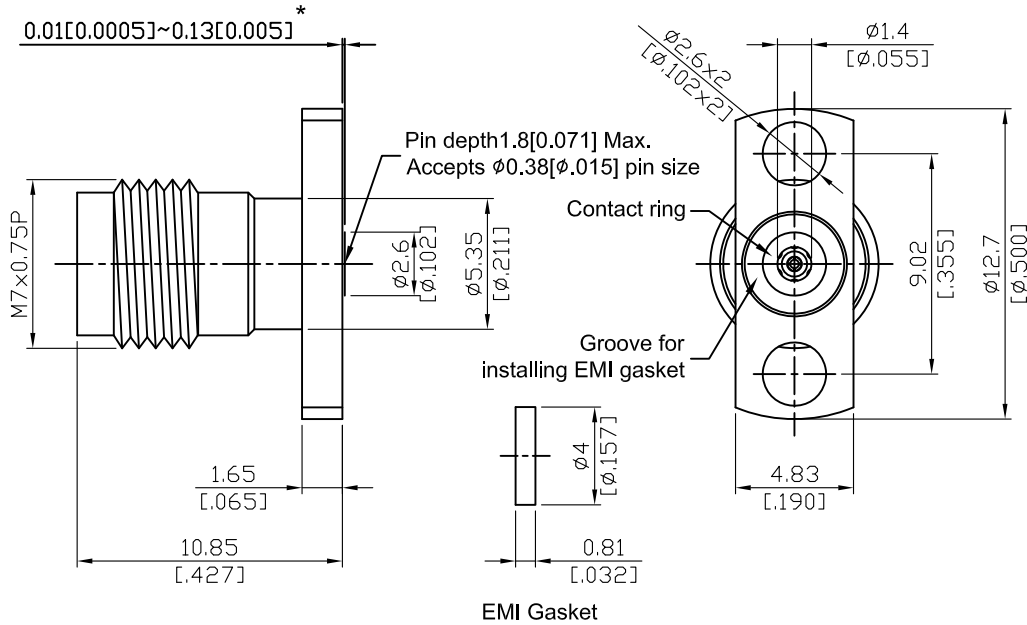


2.4-8F26B-GA15

2.4mm Field Replaceable Jack,
 $\phi 12.7\text{mm}$ (.500inch) 2 Hole Flange With EMI Gasket,
 Accepts $\phi 0.38\text{mm}$ (.015inch) Pin, 50GHz VSWR 1.18

50 Ω



*360° Raised Metal Contact Ring

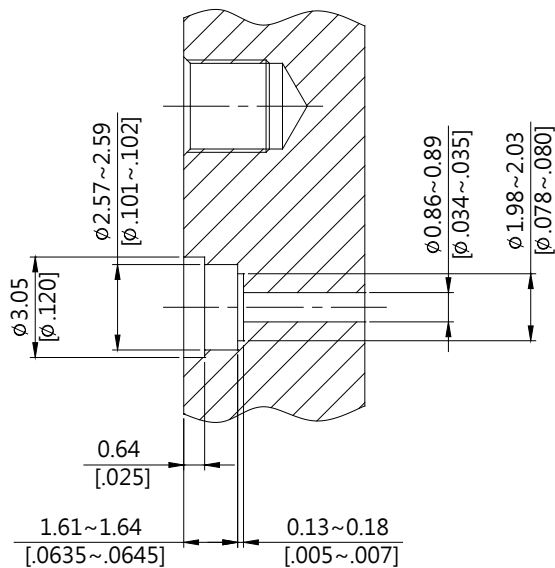
Parts	Material	Plating (Micro-inch)
Body	Stainless Steel	Passivated
Insulator	PEI	
Contact Pin	Beryllium Copper	Gold 4 Over Nickel-Phosphorus Alloy 80 Over Copper 20
Contact Ring	Stainless Steel	Passivated
EMI Gasket	Conductive Silicone Elastomers	

2.4	2.4-8F26B-GA15
<div style="border: 1px solid black; padding: 2px; margin-bottom: 5px;">Interface</div> MIL-STD-348B Mechanically compatible with 1.85	
<div style="border: 1px solid black; padding: 2px; margin-bottom: 5px;">Electrical Data</div> Impedance 50Ω Frequency range DC to 50GHz VSWR ≤ 1.18 (DC to 50GHz) Insertion loss $\leq 0.05 \times \sqrt{f(\text{GHz})}$ dB Insulation resistance $\geq 5000\text{M}\Omega$ Contact resistance inner conductor $\leq 4\text{m}\Omega$ Contact resistance outer conductor $\leq 2.5\text{m}\Omega$ Dielectric withstanding voltage (sea level) 500V rms Working voltage (sea level) 150V rms RF leakage $\geq 100\text{dB}$ to 1GHz	
<div style="border: 1px solid black; padding: 2px; margin-bottom: 5px;">Mechanical Data</div> Recommended coupling nut torque 7.08 to 9.74 inch lbs Coupling proof Torque 15 inch lbs Contact captivation-axial ≥ 4.5 lbs Durability (mating) ≥ 500	
<div style="border: 1px solid black; padding: 2px; margin-bottom: 5px;">Environmental Data</div> Temperature range -40°C to +150°C Thermal shock MIL-STD-202, Method 107, Condition B Moisture resistance MIL-STD-202, Method 106 Corrosion MIL-STD-202, Method 101, Condition B RoHS Compliant	
<div style="border: 1px solid black; padding: 2px; margin-bottom: 5px;">Accessories</div> Hermetic seal FR015-SEAL1; SEAL.015 Launch pin & Dielectric transition FR015-LAUNCH1; FR015-LAUNCH2 Tab pin & Dielectric transition FR015-TAB2; FR015-TAB3 Tab pin FR015-TAB1	

Notice: JYEBAO reserves the right to make modifications deemed appropriate.

Recommended Launch Hole Dimensions :

1. Using Hermetic seals

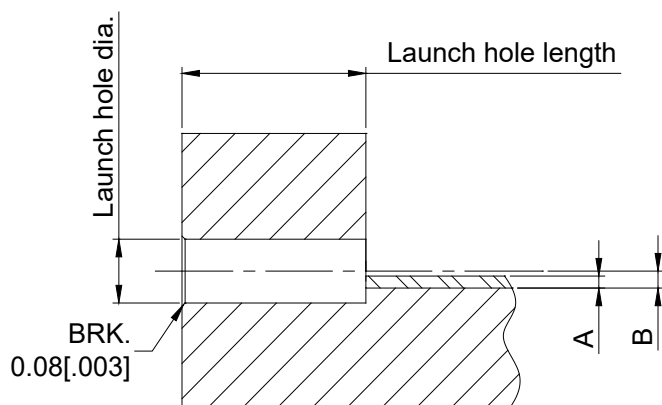


Hermetic seal P/N

SEAL.015

FR015-SEAL1

2. Using dielectric with Tab or Launch pin

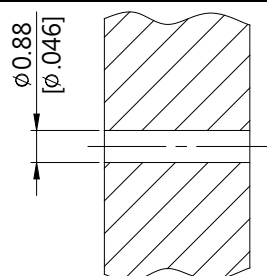


"A" = Substrate thickness

"B" = A + 1/2 Tab or Launch terminal

Dielectric and Tab/Launch pin P/N	Recommended Launch hole dia.	Recommended Launch hole length
FR015-LAUNCH1	ϕ 1.23 (.048)	4.75 (.187)
FR015-LAUNCH2	ϕ 1.23 (.048)	3.18 (.125)
FR015-TAB2	ϕ 1.23 (.048)	4.75 (.187)
FR015-TAB3	ϕ 1.23 (.048)	3.18 (.125)

3. Using Tab pin



Tab pin P/N

FR015-TAB1

2.4-8F26B-GA15 (Tested back to back)

S11

