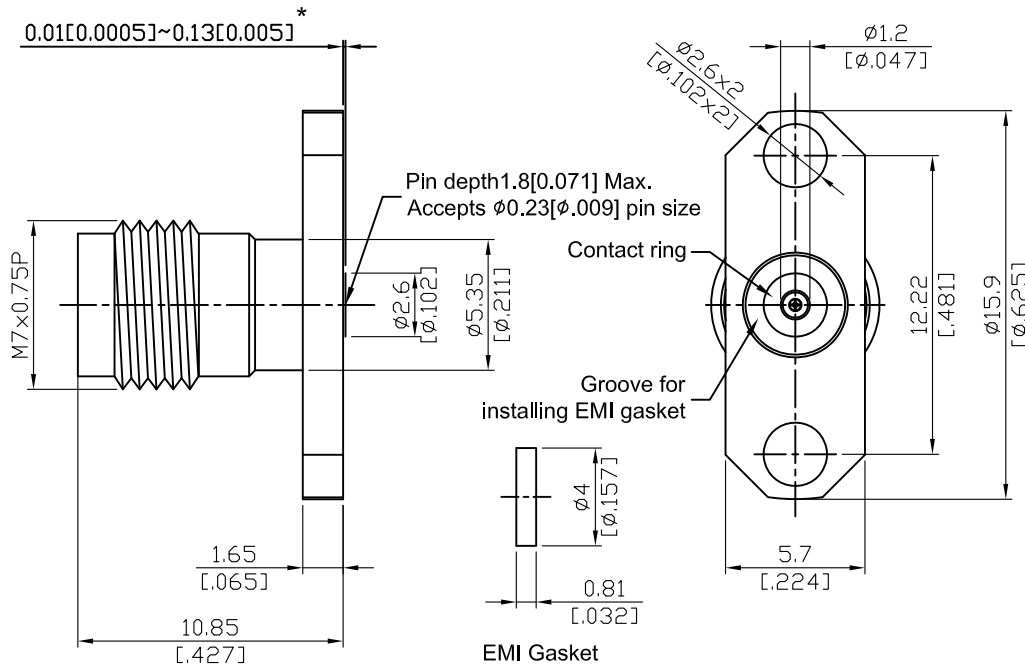


2.4-8F26A-GA09

2.4mm Field Replaceable Jack,  
 ø15.9mm (.625inch) 2 Hole Flange With EMI Gasket,  
 Accepts ø0.23mm (.009inch) Pin, 50GHz VSWR 1.18

50Ω



\*360° Raised Metal Contact Ring

| Parts        | Material                       | Plating ( Micro-inch )                                |
|--------------|--------------------------------|---|
| Body         | Stainless Steel                | Passivated  |
| Insulator    | PEI                            |   |
| Contact Pin  | Beryllium Copper               | Gold 4 Over Nickel-Phosphorus Alloy 80 Over Copper 20 |
| Contact Ring | Stainless Steel                | Passivated  |
| EMI Gasket   | Conductive Silicone Elastomers |   |

This part number complies with RoHS.

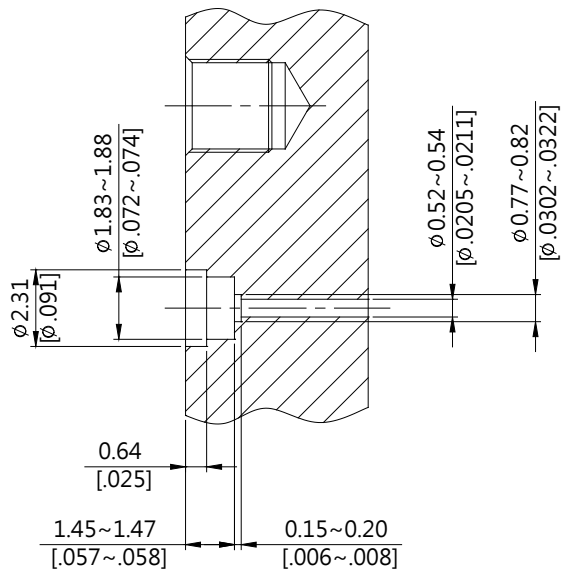
Notice: JYEBAO reserves the right to make modifications deemed appropriate.

| 2.4  | 2.4-8F26A-GA09 |
|--|----------------|
| <div style="border: 1px solid black; padding: 2px; margin-bottom: 5px;">Interface</div> MIL-STD-348B<br>Mechanically compatible with 1.85  |                |
| <div style="border: 1px solid black; padding: 2px; margin-bottom: 5px;">Electrical Data</div> Impedance 50Ω<br>Frequency range DC to 50GHz<br>VSWR $\leq 1.18$ (DC to 50GHz)<br>Insertion loss $\leq 0.05 \times \sqrt{f(\text{GHz})}$ dB<br>Insulation resistance $\geq 5000\text{M}\Omega$<br>Contact resistance inner conductor $\leq 4\text{m}\Omega$<br>Contact resistance outer conductor $\leq 2.5\text{m}\Omega$<br>Dielectric withstanding voltage (sea level) 500V rms<br>Working voltage (sea level) 150V rms<br>RF leakage $\geq 100\text{dB}$ to 1GHz |                |
| <div style="border: 1px solid black; padding: 2px; margin-bottom: 5px;">Mechanical Data</div> Recommended coupling nut torque 7.08 to 9.74 inch lbs<br>Coupling proof Torque 15 inch lbs<br>Contact captivation-axial $\geq 4.5$ lbs<br>Durability (mating) $\geq 500$   |                |
| <div style="border: 1px solid black; padding: 2px; margin-bottom: 5px;">Environmental Data</div> Temperature range -40°C to +150°C<br>Thermal shock MIL-STD-202, Method 107, Condition B<br>Moisture resistance MIL-STD-202, Method 106<br>Corrosion MIL-STD-202, Method 101, Condition B<br>RoHS Compliant  |                |
| <div style="border: 1px solid black; padding: 2px; margin-bottom: 5px;">Accessories</div> Hermetic seal FR009-SEAL1<br>Launch pin & Dielectric transition FR009-LAUNCH1; FR009-LAUNCH2<br>Tab pin & Dielectric transition FR009-TAB2; FR009-TAB3<br>Tab pin FR009-TAB1   |                |

Notice: JYEBAO reserves the right to make modifications deemed appropriate.

## Recommended Launch Hole Dimensions :

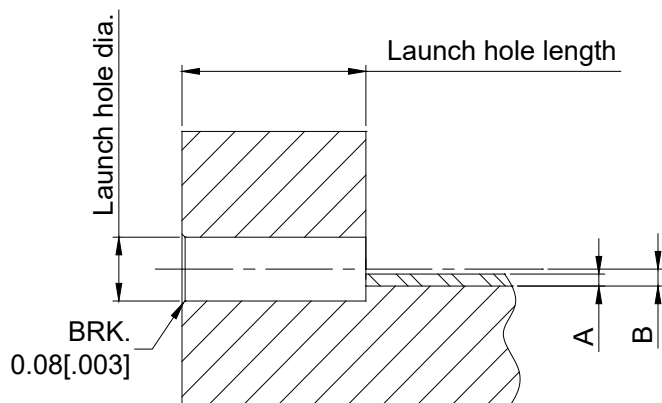
### 1. Using Hermetic seals



Hermetic seal P/N

FR009-SEAL1

### 2. Using dielectric with Tab or Launch pin

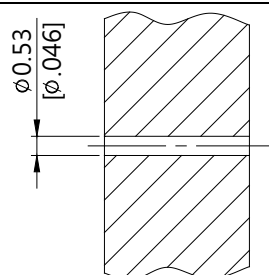


"A" = Substrate thickness

"B" = A + 1/2 Tab or Launch terminal

| Dielectric and Tab/ Launch pin P/N | Recommended Launch hole dia. | Recommended Launch hole length |
|------------------------------------|------------------------------|--------------------------------|
| FR009-LAUNCH1                      | $\phi 0.74 (.029)$           | 4.75 (.187)                    |
| FR009-LAUNCH2                      | $\phi 0.74 (.029)$           | 3.18 (.125)                    |
| FR009-TAB2                         | $\phi 0.74 (.029)$           | 3.18 (.125)                    |
| FR009-TAB3                         | $\phi 0.74 (.029)$           | 4.75 (.187)                    |

### 3. Using Tab pin



Tab pin P/N

FR009-TAB1

# 2.4-8F26A-GA09 (Tested back to back)

