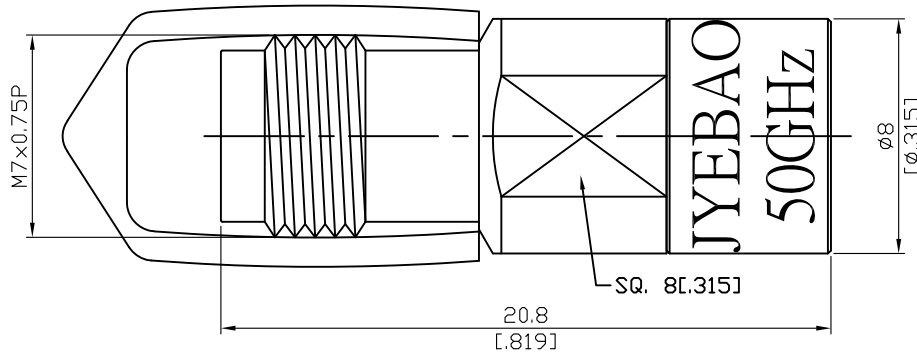


2.4-8900S-0050-1.3

1 Watt 2.4mm Jack Termination  
50GHz VSWR 1.3:1

50Ω



1 W Average Power From -40°C to 70°C Linearly Derated To 0.7 Watt at 105°C

Parts	Material	Plating ( Micro-inch )
Cover	Aluminium	Anodized (Green)
Contact Pin	Beryllium Copper	Gold 4 Over Nickel-Phosphorus Alloy 80 Over Copper 20
Insulator	PPO	
Body	Stainless Steel	Passivated
Dust Cap	PVC	

This part number complies with RoHS.

Notice: JYEBAO reserves the right to make modifications deemed appropriate.

2.4	2.4-8900S-0050-1.3
<div data-bbox="113 327 513 376" style="border: 1px solid black; padding: 2px;">Interface</div> <p>MIL-STD-348B</p> <p>Mechanically compatible with 1.85</p>	
<div data-bbox="113 490 513 539" style="border: 1px solid black; padding: 2px;">Electrical Data</div> <p>Impedance 50Ω</p> <p>Frequency range DC to 50GHz</p> <p>VSWR <math>\leq 1.3</math> (DC to 50GHz)</p> <p>Insertion loss <math>\leq 0.05 \times \sqrt{f(\text{GHz})}</math> dB</p> <p>Insulation resistance <math>\geq 5000\text{M}\Omega</math></p> <p>Contact resistance inner conductor <math>\leq 4\text{m}\Omega</math></p> <p>Contact resistance outer conductor <math>\leq 2.5\text{m}\Omega</math></p> <p>Dielectric withstanding voltage (sea level) 500V rms</p> <p>Working voltage (sea level) 150V rms</p> <p>RF leakage <math>\geq 100\text{dB}</math> to 1GHz</p>	
<div data-bbox="113 1084 513 1133" style="border: 1px solid black; padding: 2px;">Mechanical Data</div> <p>Recommended coupling nut torque 7.08 to 9.74 inch lbs</p> <p>Coupling proof Torque 15 inch lbs</p> <p>Coupling nut retention force <math>\geq 60.7</math> lbs</p> <p>Contact captivation-axial <math>\geq 4.5</math> lbs</p> <p>Durability (mating) <math>\geq 500</math></p>	
<div data-bbox="113 1438 513 1487" style="border: 1px solid black; padding: 2px;">Environmental Data</div> <p>Temperature range -40°C to +105°C</p> <p>Thermal shock MIL-STD-202, Method 107, Condition B</p> <p>Moisture resistance MIL-STD-202, Method 106</p> <p>Corrosion MIL-STD-202, Method 101, Condition B</p> <p>RoHS Compliant</p>	
<div data-bbox="113 1792 513 1841" style="border: 1px solid black; padding: 2px;">Tooling</div>	

Notice: JYEBAO reserves the right to make modifications deemed appropriate.