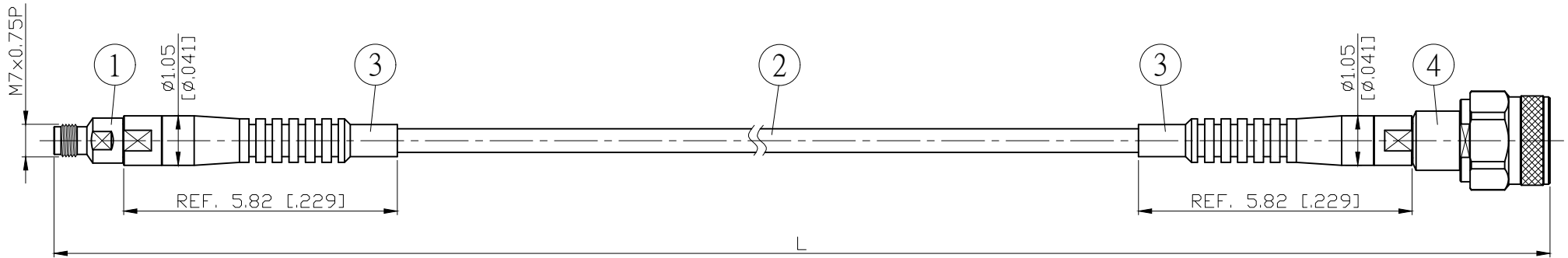


O.	COMPONENTS	IMPEDANCE
1	1.85 FEMALE	50 OHM
2	PHASETEST2	50 OHM
3	SLEEVE	
4	N MALE	50 OHM

REVISION			
REV.	DESCRIPTION	DATE	APPROVED
-	INITIAL RELEASE	2021/01/05	

1.85 FEMALE

N MALE



L CM (INCH)	L1 M (MM)
50 (19.685)	0.464 (464.0)
100 (39.370)	0.964 (964.0)
150 (59.055)	1.464 (1464.0)
200 (78.740)	1.964 (1964.0)
Custom length in CM	- - -

Spec	Phase stability vs bending ⁽¹⁾	Amplitude stability vs bending ⁽²⁾	Max VSWR	Max IL	Flexure life cycle ⁽³⁾
3GHz	±0.3° typ / ±0.5° max	±0.005dB typ / ±0.01dB max	1.12 : 1	≤ (0.0128dB/cm*Lcm)+0.15dB	≥ 100000
6GHz	±0.5° typ / ±0.75° max	±0.0075dB typ / ±0.015dB max	1.15 : 1	≤ (0.0189dB/cm*Lcm)+0.20dB	
12.4GHz	±0.75° typ / ±1.0° max	±0.01dB typ / ±0.02dB max	1.20 : 1	≤ (0.0293dB/cm*Lcm)+0.25dB	
18GHz	±1.0° typ / ±1.5° max	±0.015dB typ / ±0.03dB max	1.25 : 1	≤ (0.0361dB/cm*Lcm)+0.30dB	

Notes:

- Operating Temp.: -40°C / +105°C
- Static bend radius 15mm
- Dynamic bend radius 30mm
- RoHS Compliant

- (1) Per IEC 60966-1, section 8.6, method 1
- (2) Per IEC 60966-1, section 8.4
- (3) Per IEC 60966-1, section 9.3

O.	PARTS NO.	DESCRIPTION	QTY	UM
4	U-N-M	N PLUG	1	EA
3	U-PT2	SLEEVE	2	EA
2	PHASETEST2	CABLE	SEE TABLE L1	M
1	U-1.85-F	1.85 JACK	1	EA

LENGTH TOLERANCE IS ±1.5% OR ±10MM, WHICHEVER IS GREATER.	STANDARD	REV -	UNIT CM(INCH)	JYE BAO CO., LTD. TAIPEI TAIWAN
	APPROVED		DATE	
	CHECKED		DATE	DESCRIPTION CABLE ASSEMBLY 1.85 JACK TO N PLUG
	DRAWING	<i>Albert</i>	DATE	JYE BAO DRAWING NO. 1880N30-PT2-18GXXX