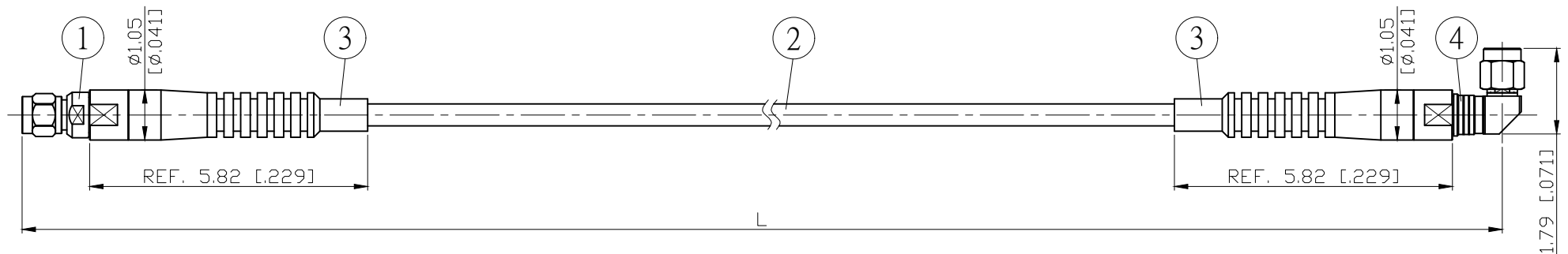


| NO. | COMPONENTS | IMPEDANCE |
|-----|--------------------|-----------|
| 1 | 1.85 MALE | 50 OHM |
| 2 | 6002A | 50 OHM |
| 3 | SLEEVE | |
| 4 | K MALE RIGHT ANGLE | 50 OHM |

| REVISION | | | |
|----------|-----------------|------------|----------|
| REV. | DESCRIPTON | DATE | APPROVED |
| - | INITIAL RELEASE | 2021/02/25 | |

1.85 MALE

K MALE
RIGHT ANGLE



| L CM (INCH) | L1 M (MM) |
|------------------------|----------------|
| 50 (19.685) | 0.483 (483.0) |
| 100 (39.370) | 0.983 (983.0) |
| 150 (59.055) | 1.483 (1483.0) |
| 200 (78.740) | 1.983 (1983.0) |
| Custom length in CM | - - - |

| Spec | Phase stability vs bending ⁽¹⁾ | Amplitude stability vs bending ⁽²⁾ | Max VSWR | Max IL | Flexure life cycle ⁽³⁾ |
|---------|--|--|----------|----------------------------|-----------------------------------|
| 3GHz | ±0.3° typ / ±0.5° max | ±0.005dB typ / ±0.01dB max | 1.12 : 1 | ≤ (0.0128dB/cm*Lcm)+0.15dB | ≥ 100000 |
| 6GHz | ±0.5° typ / ±0.75° max | ±0.0075dB typ / ±0.015dB max | 1.15 : 1 | ≤ (0.0189dB/cm*Lcm)+0.20dB | |
| 12.4GHz | ±0.75° typ / ±1.0° max | ±0.01dB typ / ±0.02dB max | 1.20 : 1 | ≤ (0.0293dB/cm*Lcm)+0.25dB | |
| 18GHz | ±1.0° typ / ±1.5° max | ±0.015dB typ / ±0.03dB max | 1.25 : 1 | ≤ (0.0361dB/cm*Lcm)+0.30dB | |
| 26.5GHz | ±1.5° typ / ±2.0° max | ±0.02dB typ / ±0.04dB max | 1.25 : 1 | ≤ (0.0450dB/cm*Lcm)+0.40dB | |
| 40GHz | ±2.0° typ / ±3.5° max | ±0.03dB typ / ±0.06dB max | 1.30 : 1 | ≤ (0.0568dB/cm*Lcm)+0.50dB | |

Notes:

- Operating Temp.: -40°C / +85°C
- Static bend radius 13.8mm
- Dynamic bend radius 30mm
- RoHS Compliant

- (1) Per IEC 60966-1, section 8.6, method 1
- (2) Per IEC 60966-1, section 8.4
- (3) Per IEC 60966-1, section 9.3

| | | | | | STANDARD | REV - | UNIT CM(INCH) | JYE BAO CO., LTD. | |
|-----|-------------|-------------|--------------|-----|--|---------------|------------------|---|--|
| | | | | | APPROVED | | | TAIPEI TAIWAN | |
| | | | | | CHECKED | | | DESCRIPTION CABLE ASSEMBLY 1.85 PLUG TO K PLUG R/A | |
| | | | | | DRAWING | | | JYE BAO DRAWING NO. 1830K39-62A-40GXXX | |
| 4 | U-2.92-M-RA | K PLUG R/A | 1 | EA | LENGTH TOLERANCE IS ±1.5% OR ±10MM, WHICHEVER IS GREATER. | <i>Albert</i> | | | |
| 3 | U-6002A | SLEEVE | 2 | EA | | | | | |
| 2 | 6002A | CABLE | SEE TABLE L1 | M | | | | | |
| 1 | U-1.85-M | 1.85 PLUG | 1 | EA | | | | | |
| NO. | PARTS NO. | DESCRIPTION | Q'TY | U/M | | | | | |