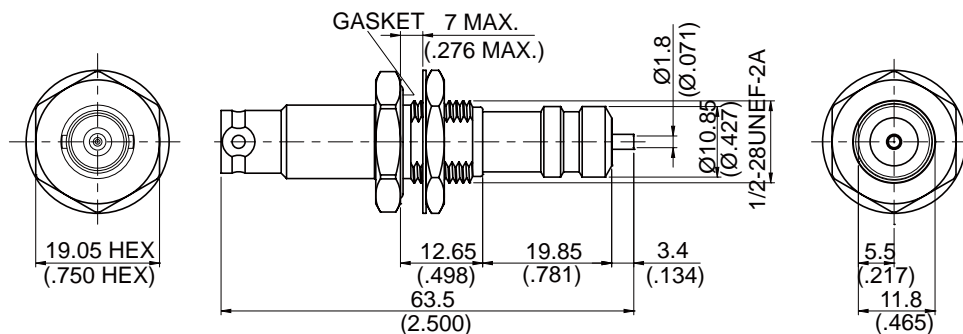
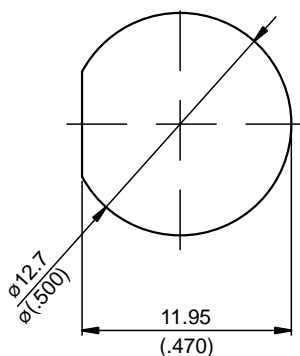


10KV-8500-0000

10KV Jack Bulkhead, Hermetic  $1 \times 10^{-6}$  cc/sec of helium at 1atm, With Round Contact ( $\Phi 1.8$ ; L=3.4)



MOUNTING HOLE:



Hermiticity of  $1 \times 10^{-6}$  cc/sec of helium at 1atm

| Parts       | Material                  | Plating (Micro-inch)                                  |
|-------------|---------------------------|---|
| Gasket      | Silicon                   |   |
| Hex Nut     | Brass                     | Tin-Zinc-Copper-Alloy 100 Over Copper 50              |
| Lock Washer | Brass                     | Tin-Zinc-Copper-Alloy 100 Over Copper 50              |
| Insulator   | High Density Polyethylene |   |
| Contact Pin | Beryllium Copper          | Gold 4 Over Nickel-Phosphorus Alloy 80 Over Copper 20 |
| Body        | Brass                     | Tin-Zinc-Copper-Alloy 100 Over Copper 50              |

Weight: 29 g

This part number complies with RoHS.

Notice: JYEBAO reserves the right to make modifications deemed appropriate.

|   |                                      |                   |                |                       |                                      |                                    |           |                                    |      |                             |        |                                |        |
|---|--------------------------------------|-------------------|----------------|-----------------------|--------------------------------------|------------------------------------|-----------|------------------------------------|------|-----------------------------|--------|--------------------------------|--------|
| 10KV  | 10KV-8500-0000                       |                   |                |                       |                                      |                                    |           |                                    |      |                             |        |                                |        |
| <div style="border: 1px solid black; padding: 2px; margin-bottom: 5px;">Interface</div> <p>Mechanically compatible with Kings 10KV series</p>   |                                      |                   |                |                       |                                      |                                    |           |                                    |      |                             |        |                                |        |
| <div style="border: 1px solid black; padding: 2px; margin-bottom: 5px;">Electrical Data</div> <table style="width: 100%; border-collapse: collapse;"> <tr> <td style="width: 50%;">Impedance</td> <td style="width: 50%;">non constant</td> </tr> <tr> <td>Insulation resistance</td> <td>1000GΩ</td> </tr> <tr> <td>Contact resistance inner conductor</td> <td>≤3mΩ</td> </tr> <tr> <td>Contact resistance outer conductor</td> <td>≤2mΩ</td> </tr> <tr> <td>Test voltage (at sea level)</td> <td>15KVDC</td> </tr> <tr> <td>Working Voltage (at sea level)</td> <td>10KVDC</td> </tr> </table> |                                      | Impedance         | non constant   | Insulation resistance | 1000GΩ                               | Contact resistance inner conductor | ≤3mΩ      | Contact resistance outer conductor | ≤2mΩ | Test voltage (at sea level) | 15KVDC | Working Voltage (at sea level) | 10KVDC |
| Impedance   | non constant                         |                   |                |                       |                                      |                                    |           |                                    |      |                             |        |                                |        |
| Insulation resistance   | 1000GΩ                               |                   |                |                       |                                      |                                    |           |                                    |      |                             |        |                                |        |
| Contact resistance inner conductor  | ≤3mΩ                                 |                   |                |                       |                                      |                                    |           |                                    |      |                             |        |                                |        |
| Contact resistance outer conductor  | ≤2mΩ                                 |                   |                |                       |                                      |                                    |           |                                    |      |                             |        |                                |        |
| Test voltage (at sea level)   | 15KVDC                               |                   |                |                       |                                      |                                    |           |                                    |      |                             |        |                                |        |
| Working Voltage (at sea level)  | 10KVDC                               |                   |                |                       |                                      |                                    |           |                                    |      |                             |        |                                |        |
| <div style="border: 1px solid black; padding: 2px; margin-bottom: 5px;">Environmental Data</div> <table style="width: 100%; border-collapse: collapse;"> <tr> <td style="width: 50%;">Temperature range</td> <td style="width: 50%;">-55°C to +85°C</td> </tr> <tr> <td>Corrosion</td> <td>MIL-STD-202, Method 101, Condition B</td> </tr> <tr> <td>RoHS</td> <td>Compliant</td> </tr> </table>   |                                      | Temperature range | -55°C to +85°C | Corrosion             | MIL-STD-202, Method 101, Condition B | RoHS                               | Compliant |                                    |      |                             |        |                                |        |
| Temperature range   | -55°C to +85°C                       |                   |                |                       |                                      |                                    |           |                                    |      |                             |        |                                |        |
| Corrosion   | MIL-STD-202, Method 101, Condition B |                   |                |                       |                                      |                                    |           |                                    |      |                             |        |                                |        |
| RoHS  | Compliant                            |                   |                |                       |                                      |                                    |           |                                    |      |                             |        |                                |        |
| <div style="border: 1px solid black; padding: 2px; margin-bottom: 5px;">Tooling</div>   |                                      |                   |                |                       |                                      |                                    |           |                                    |      |                             |        |                                |        |

Notice: JYEBAO reserves the right to make modifications deemed appropriate.