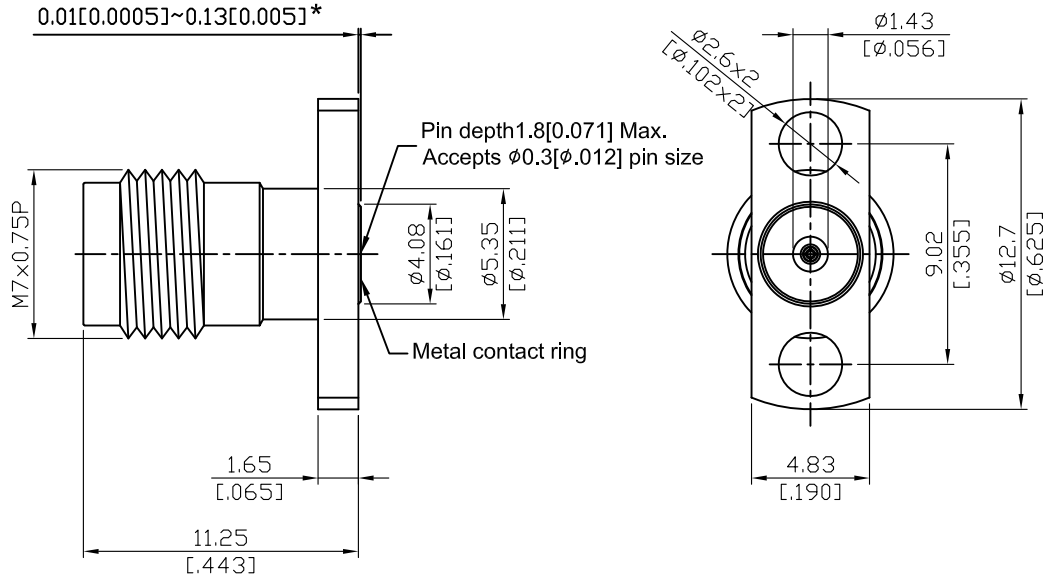


1.85-8F26B-EM12

1.85mm Field Replaceable Jack,  
 $\phi 12.7\text{mm}$  (.500inch) 2 Hole Flange With Metal Ring,  
 Accepts  $\phi 0.3\text{mm}$  (.012inch) Pin, 67GHz VSWR 1.25

50 $\Omega$



\*360° Raised Metal Contact Ring

Parts	Material	Plating ( Micro-inch )
Body	Stainless Steel	Passivated
Insulator	PEI	
Contact Pin	Beryllium Copper	Gold 4 Over Nickel-Phosphorus Alloy 80 Over Copper 20
Metal Contact Ring	Beryllium Copper	Gold 4 Over Nickel-Phosphorus Alloy 80 Over Copper 20

This part number complies with RoHS.

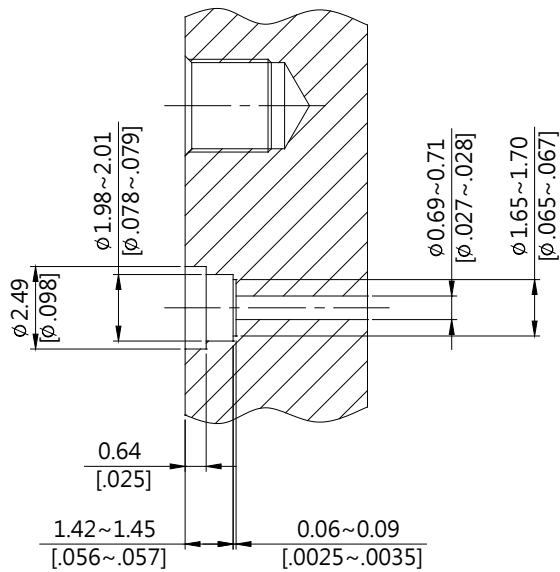
Notice: JYEBAO reserves the right to make modifications deemed appropriate.

1.85	1.85-8F26B-EM12
<div data-bbox="113 327 513 376" style="border: 1px solid black; padding: 2px;">Interface</div> <p>IEEE 287; IEC61169-32</p> <p>Mechanically compatible with <span style="float: right;">2.4</span></p>	
<div data-bbox="113 490 513 539" style="border: 1px solid black; padding: 2px;">Electrical Data</div> <p>Impedance <span style="float: right;">50Ω</span></p> <p>Frequency range <span style="float: right;">DC to 67GHz</span></p> <p>VSWR <span style="float: right;">≤ 1.25 (DC to 67GHz)</span></p> <p>Insertion loss <span style="float: right;">≤ 0.05 x √f(GHz) dB</span></p> <p>Insulation resistance <span style="float: right;">≥ 5000MΩ</span></p> <p>Contact resistance inner conductor <span style="float: right;">≤ 4mΩ</span></p> <p>Contact resistance outer conductor <span style="float: right;">≤ 2.5mΩ</span></p> <p>Dielectric withstanding voltage (sea level) <span style="float: right;">500V rms</span></p> <p>Working voltage (sea level) <span style="float: right;">150V rms</span></p> <p>RF leakage <span style="float: right;">≥ 100dB to 1GHz</span></p>	
<div data-bbox="113 1084 513 1133" style="border: 1px solid black; padding: 2px;">Mechanical Data</div> <p>Recommended coupling nut torque <span style="float: right;">7.08 to 9.74 inch lbs</span></p> <p>Coupling proof Torque <span style="float: right;">15 inch lbs</span></p> <p>Contact captivation-axial <span style="float: right;">≥ 4.5 lbs</span></p> <p>Durability (mating) <span style="float: right;">≥ 500</span></p>	
<div data-bbox="113 1391 513 1440" style="border: 1px solid black; padding: 2px;">Environmental Data</div> <p>Temperature range <span style="float: right;">-40°C to +165°C</span></p> <p>Thermal shock <span style="float: right;">MIL-STD-202, Method 107, Condition B</span></p> <p>Moisture resistance <span style="float: right;">MIL-STD-202, Method 106</span></p> <p>Corrosion <span style="float: right;">MIL-STD-202, Method 101, Condition B</span></p> <p>RoHS <span style="float: right;">Compliant</span></p>	
<div data-bbox="113 1744 513 1794" style="border: 1px solid black; padding: 2px;">Accessories</div> <p>Hermetic seal <span style="float: right;">FR012-SEAL1; FR012-SEAL2; SEAL.012</span></p> <p>Launch pin &amp; Dielectric transition <span style="float: right;">FR012-LAUNCH1; FR012-LAUNCH2</span></p> <p>Tab pin &amp; Dielectric transition <span style="float: right;">FR012-TAB2; FR012-TAB3</span></p> <p>Tab pin <span style="float: right;">FR012-TAB1</span></p>	

Notice: JYEBAO reserves the right to make modifications deemed appropriate.

## Recommended Launch Hole Dimensions :

### 1. Using Hermetic seals



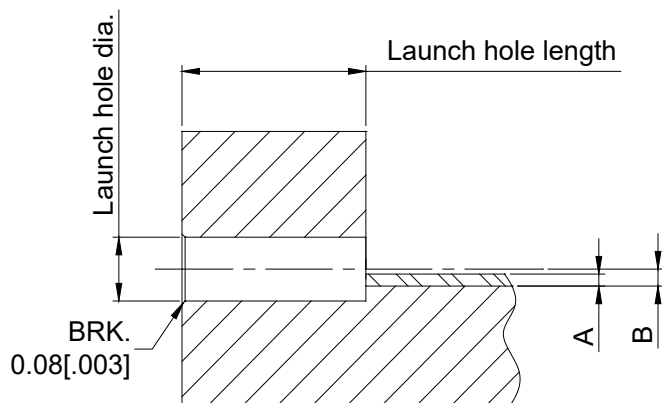
Hermetic seal P/N

SEAL.012

FR012-SEAL1

FR012-SEAL2

### 2. Using dielectric with Tab or Launch pin

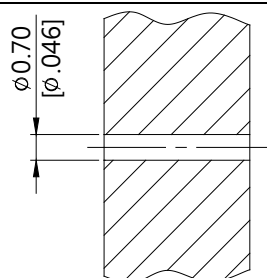


"A" = Substrate thickness

"B" = A + 1/2 Tab or Launch terminal

Dielectric and Tab/Launch pin P/N	Recommended Launch hole dia.	Recommended Launch hole length
FR012-LAUNCH1	$\phi 0.99$ (.039)	4.75 (.187)
FR012-LAUNCH2	$\phi 0.99$ (.039)	3.18 (.125)
FR012-TAB2	$\phi 0.99$ (.039)	3.18 (.125)
FR012-TAB3	$\phi 0.99$ (.039)	4.75 (.187)

### 3. Using Tab pin



Tab pin P/N

FR012-TAB1