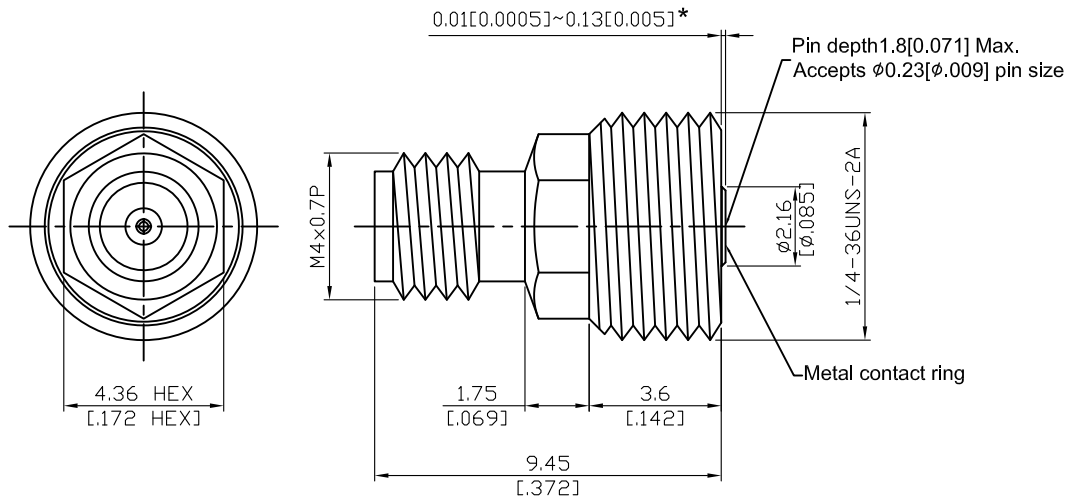


1.0-8FTI-EM09	1.0mm Thread in Mount Field Replaceable Jack With Metal Ring, Accepts $\phi 0.23\text{mm}$ (.009 inch) pin, 110GHz VSWR 1.28	50 Ω
---------------	---	-------------



*360° Raised Metal Contact Ring

Parts	Material	Plating (Micro-inch)
Body	Stainless Steel	Passivated
Metal Contact Ring	Stainless Steel	Passivated
Insulator	PPO	
Contact Pin	Beryllium Copper	Gold 4 Over Nickel-Phosphorus Alloy 80 Over Copper 20

--	--

This part number complies with RoHS.

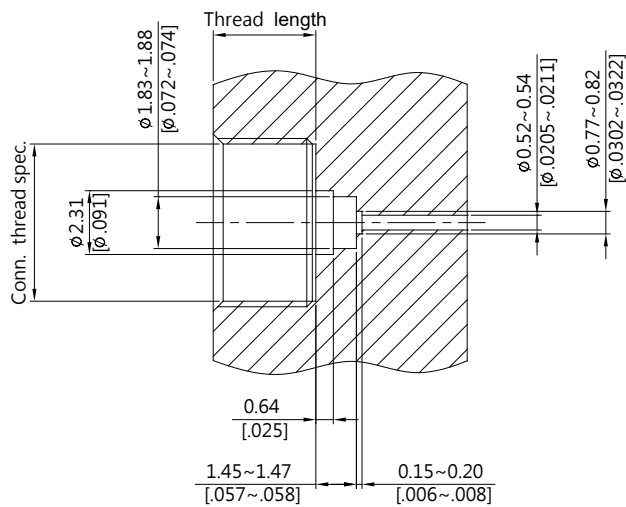
Notice: JYEBAO reserves the right to make modifications deemed appropriate.

Description	1.0-8FTI-EM09																		
<div style="border: 1px solid black; padding: 2px; margin-bottom: 5px;">Interface</div> IEC61169-31																			
<div style="border: 1px solid black; padding: 2px; margin-bottom: 5px;">Electrical Data</div> <table border="0" style="width: 100%;"> <tr> <td style="width: 60%;">Impedance</td> <td>50Ω</td> </tr> <tr> <td>Frequency Range</td> <td>DC to 110GHz</td> </tr> <tr> <td>VSWR</td> <td>≤1.28 (DC to 110GHz)</td> </tr> <tr> <td>Insulation Resistance</td> <td>≥5000MΩ</td> </tr> <tr> <td>Contact Resistance Inner Conductor</td> <td>≤4mΩ</td> </tr> <tr> <td>Contact Resistance Outer Conductor</td> <td>≤1mΩ</td> </tr> <tr> <td>Dielectric Withstanding Voltage (at sea level)</td> <td>500 V rms, 50Hz</td> </tr> <tr> <td>Working Voltage (at sea level)</td> <td>150 V rms, 50Hz</td> </tr> <tr> <td>RF Leakage</td> <td>≥90dB to 1GHz</td> </tr> </table>		Impedance	50Ω	Frequency Range	DC to 110GHz	VSWR	≤1.28 (DC to 110GHz)	Insulation Resistance	≥5000MΩ	Contact Resistance Inner Conductor	≤4mΩ	Contact Resistance Outer Conductor	≤1mΩ	Dielectric Withstanding Voltage (at sea level)	500 V rms, 50Hz	Working Voltage (at sea level)	150 V rms, 50Hz	RF Leakage	≥90dB to 1GHz
Impedance	50Ω																		
Frequency Range	DC to 110GHz																		
VSWR	≤1.28 (DC to 110GHz)																		
Insulation Resistance	≥5000MΩ																		
Contact Resistance Inner Conductor	≤4mΩ																		
Contact Resistance Outer Conductor	≤1mΩ																		
Dielectric Withstanding Voltage (at sea level)	500 V rms, 50Hz																		
Working Voltage (at sea level)	150 V rms, 50Hz																		
RF Leakage	≥90dB to 1GHz																		
<div style="border: 1px solid black; padding: 2px; margin-bottom: 5px;">Mechanical Data</div> <table border="0" style="width: 100%;"> <tr> <td style="width: 60%;">Recommended coupling nut torque</td> <td>2.65 to 3.63 inch lbs</td> </tr> <tr> <td>Coupling proof torque</td> <td>6.2 inch lbs</td> </tr> <tr> <td>Contact Captivation-axial</td> <td>≥2.25 lbs</td> </tr> <tr> <td>Durability (mating)</td> <td>≥500</td> </tr> </table>		Recommended coupling nut torque	2.65 to 3.63 inch lbs	Coupling proof torque	6.2 inch lbs	Contact Captivation-axial	≥2.25 lbs	Durability (mating)	≥500										
Recommended coupling nut torque	2.65 to 3.63 inch lbs																		
Coupling proof torque	6.2 inch lbs																		
Contact Captivation-axial	≥2.25 lbs																		
Durability (mating)	≥500																		
<div style="border: 1px solid black; padding: 2px; margin-bottom: 5px;">Environmental Data</div> <table border="0" style="width: 100%;"> <tr> <td style="width: 60%;">Temperature Range</td> <td>-55°C to +105°C</td> </tr> <tr> <td>Thermal shock</td> <td>MIL-STD-202, Method 107, Condition B</td> </tr> <tr> <td>Moisture resistance</td> <td>MIL-STD-202, Method 106</td> </tr> <tr> <td>Corrosion</td> <td>MIL-STD-202, Method 101, Condition B</td> </tr> <tr> <td>RoHS</td> <td>Compliant</td> </tr> </table>		Temperature Range	-55°C to +105°C	Thermal shock	MIL-STD-202, Method 107, Condition B	Moisture resistance	MIL-STD-202, Method 106	Corrosion	MIL-STD-202, Method 101, Condition B	RoHS	Compliant								
Temperature Range	-55°C to +105°C																		
Thermal shock	MIL-STD-202, Method 107, Condition B																		
Moisture resistance	MIL-STD-202, Method 106																		
Corrosion	MIL-STD-202, Method 101, Condition B																		
RoHS	Compliant																		
<div style="border: 1px solid black; padding: 2px; margin-bottom: 5px;">Accessories</div> <table border="0" style="width: 100%;"> <tr> <td style="width: 60%;">Hermetic seal</td> <td>FR009-SEAL1</td> </tr> <tr> <td>Launch pin & Dielectric transition</td> <td>FR009-LAUNCH1; FR009-LAUNCH2</td> </tr> <tr> <td>Tab pin & Dielectric transition</td> <td>FR009-TAB2; FR009-TAB3</td> </tr> <tr> <td>Tab pin</td> <td>FR009-TAB1</td> </tr> </table>		Hermetic seal	FR009-SEAL1	Launch pin & Dielectric transition	FR009-LAUNCH1; FR009-LAUNCH2	Tab pin & Dielectric transition	FR009-TAB2; FR009-TAB3	Tab pin	FR009-TAB1										
Hermetic seal	FR009-SEAL1																		
Launch pin & Dielectric transition	FR009-LAUNCH1; FR009-LAUNCH2																		
Tab pin & Dielectric transition	FR009-TAB2; FR009-TAB3																		
Tab pin	FR009-TAB1																		

Notice: JYEBAO reserves the right to make modifications deemed appropriate.

Recommended Launch Hole Dimensions :

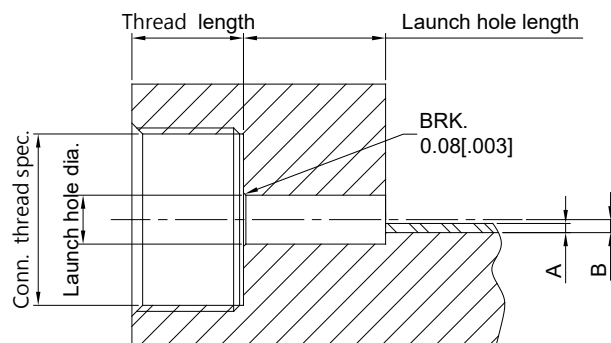
1. Using Hermetic seals



Hermetic seal P/N

FR009-SEAL1

2. Using dielectric with Tab or Launch pin

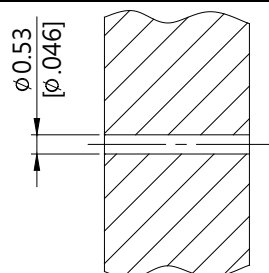


"A" = Substrate thickness

"B" = A + 1/2 Tab or Launch terminal

Dielectric and Tab/ Launch pin P/N	Recommended Launch hole dia.	Recommended Launch hole length
FR009-LAUNCH1	ϕ 0.74 (.029)	4.75 (.187)
FR009-LAUNCH2	ϕ 0.74 (.029)	3.18 (.125)
FR009-TAB2	ϕ 0.74 (.029)	3.18 (.125)
FR009-TAB3	ϕ 0.74 (.029)	4.75 (.187)

3. Using Tab pin



Tab pin P/N

FR009-TAB1